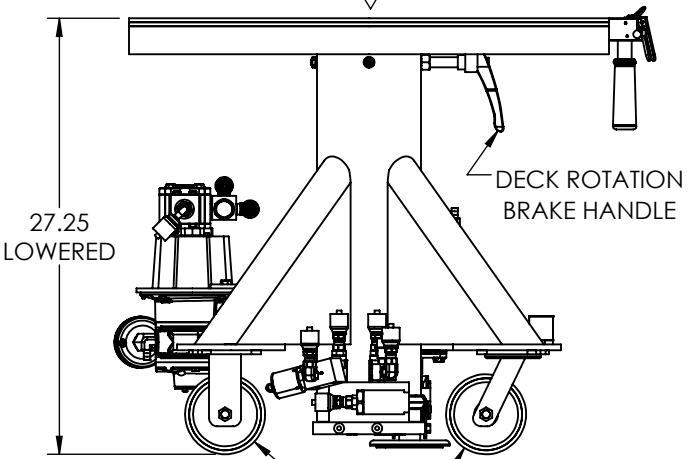


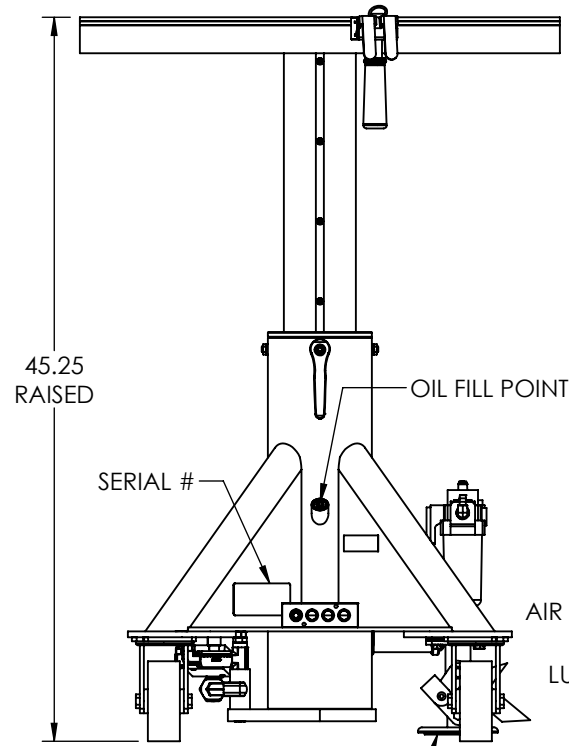
↑
18" TRAVEL
↓



Ø5.00 POLY ON IRON RIGID CASTERS X2

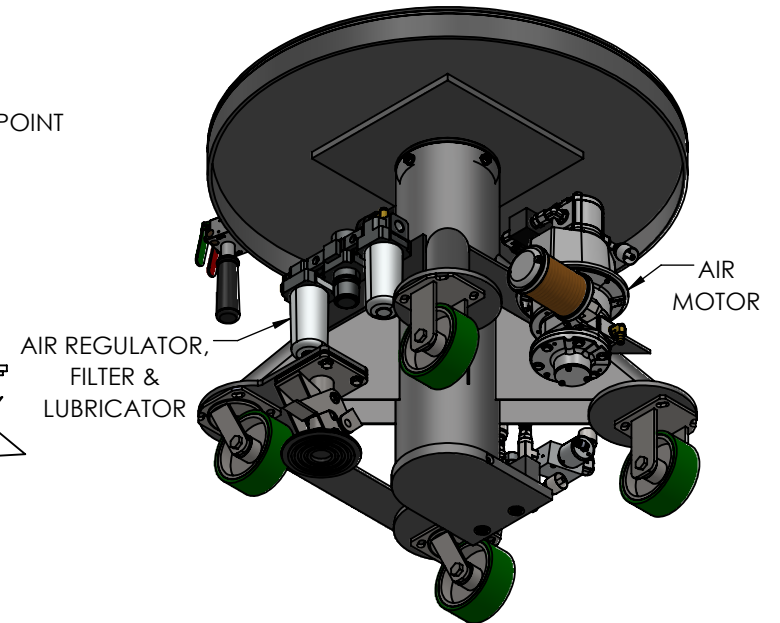
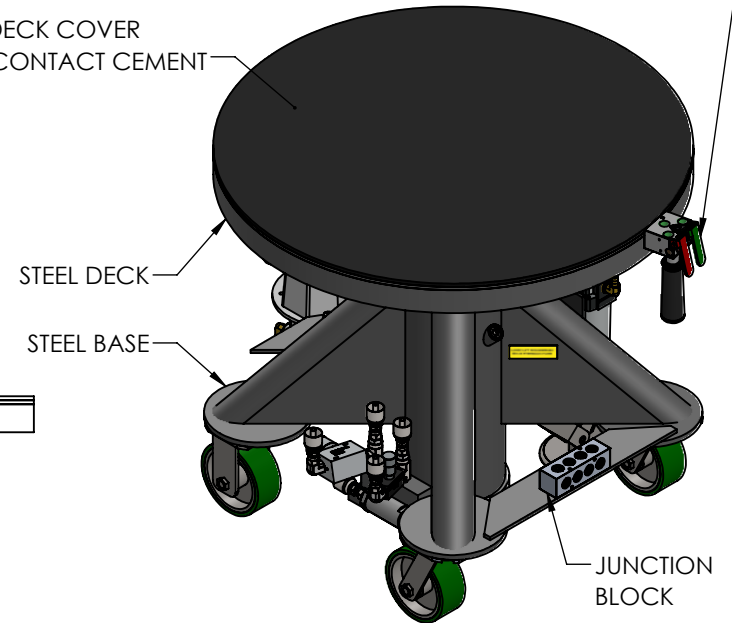
Ø5.00 POLY ON IRON SWIVEL CASTERS X2

CAPACITY: 1,000 LBS
POWER: AIR MOTOR W/ON BOARD REGULATOR, FILTER & LUBRICATOR, 80PSI @ 50CFM RECOMMENDED
CONTROLS: AIR VALVE PENDANT
PAINT: LANGE LIFT SHADOW GRAY



PNEUMATIC HAND PENDANT - RAISE/LOWER (3 HOSES TO JUNCTION BLOCK)

1/4 NEOPRENE DECK COVER ADHERED WITH CONTACT CEMENT



RETURN SIGNED APPROVAL DRAWING TO LANGE LIFT BY E-MAIL. LEAD TIMES ARE SUBJECT TO THE RECEIPT OF THE SIGNED APPROVAL DRAWING, AND PO, FOR ALL CUSTOM AND MODIFIED PRODUCTS.

APPROVED FOR PRODUCTION

PRINT NAME:	DATE:
APPROVAL SIGNATURE:	



PO Box 580 Menomonee Falls, WI 53052
 Phone (262) 502-0333 | langelift.com

PROPRIETARY AND CONFIDENTIAL, THE INFORMATION CONTAINED IN THIS DRAWING IS THE SOLE PROPERTY OF LANGE LIFT. ANY REPRODUCTION IN PART OR AS A WHOLE WITHOUT THE WRITTEN PERMISSION OF LANGE LIFT IS PROHIBITED.

DIMENSIONS ARE IN INCHES	DESCRIPTION:	REV:
THIRD ANGLE PROJECTION	L-124-AP MODIFIED	-
SCALE: NTS	DRAWN BY: DBK	DATE: 3/12/2024
	DWG NO: D2411922-01	SHEET: 1 OF 1