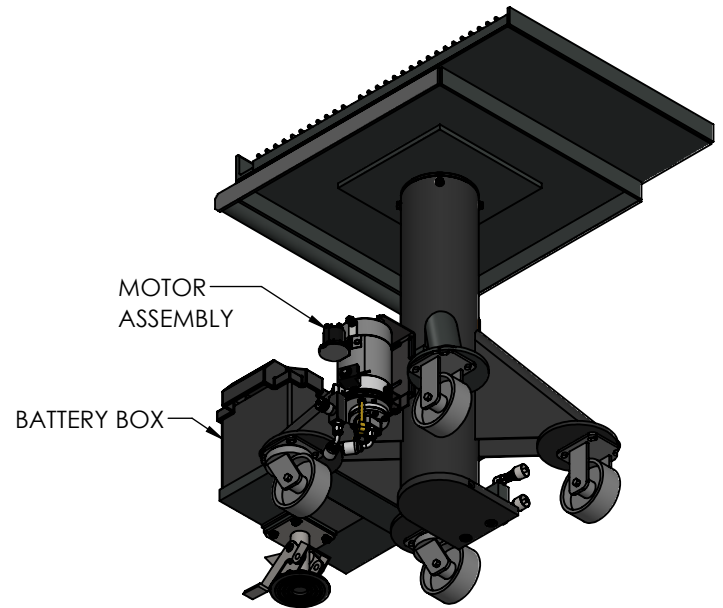
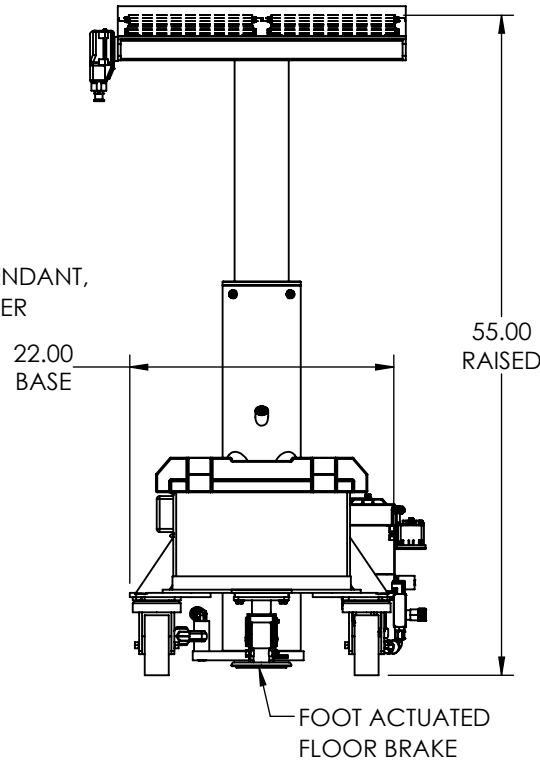
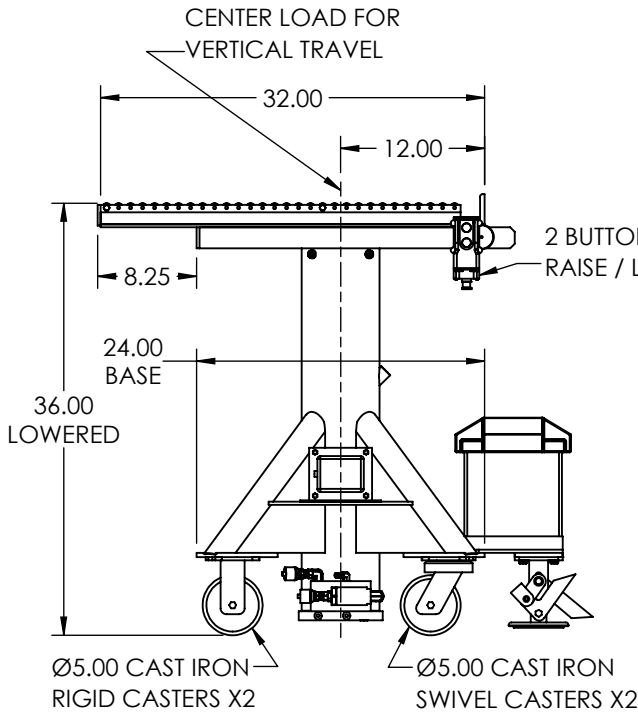
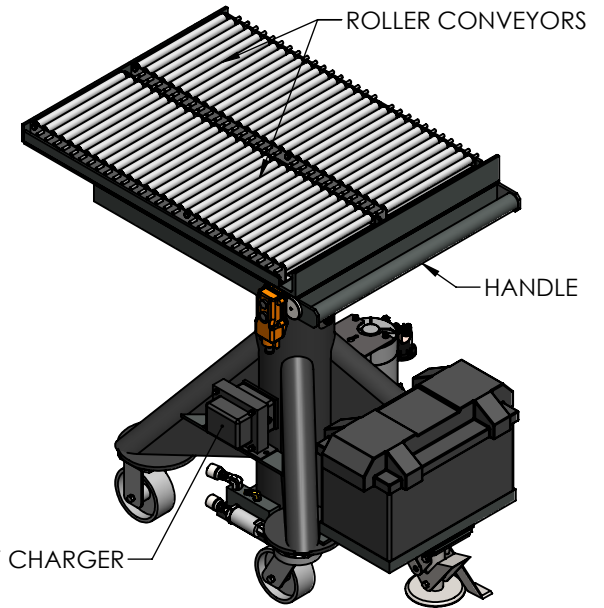
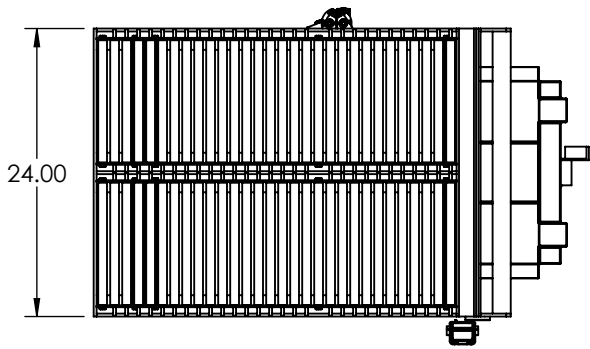


**Model:** Custom Lift Table  
**Capacity:** 500 Pounds  
**Raised Height:** 55" to Top of Rollers  
**Lowered Height:** 36" to Top of Rollers  
**Travel:** 19"  
**Deck:** 24" x 32" Welded Steel Deck w/Rolley Conveyors, Non-Rotating  
**Base:** 22" x 24" Formed Steel Legs and Welded Steel Frame. Features 2x Each Ø5" Cast Iron Rigid and Swivel Casters, 1x Foot Actuated Floor Brake  
**Power:** 12V Deep Cycle Battery (Enclosed), DC Motor, and On Board Battery Charger  
**Controls:** Push Button Coil Corded Pendant Control – Lift/Lower  
**Paint:** Lange Lift Shadow Gray



RETURN SIGNED APPROVAL DRAWING TO LANGE LIFT BY E-MAIL OR FAX. LEAD TIMES ARE DRIVEN BY THE RECEIPT OF THE SIGNED APPROVAL DRAWING FOR ALL CUSTOM AND MODIFIED PRODUCTS.

**APPROVED FOR PRODUCTION**

PRINT NAME:	DATE:
APPROVAL SIGNATURE:	



PROPRIETARY AND CONFIDENTIAL, THE INFORMATION CONTAINED IN THIS DRAWING IS THE SOLE PROPERTY OF LANGE LIFT. ANY REPRODUCTION IN PART OR AS A WHOLE WITHOUT THE WRITTEN PERMISSION OF LANGE LIFT IS PROHIBITED.

DIMENSIONS ARE IN INCHES		THIRD ANGLE PROJECTION		DESCRIPTION:		REV:
				<b>CUSTOM LIFT TABLE</b>		-
SCALE:	DRAWN BY:	DATE:	DWG NO:	SHEET:		
NTS	DBK	11/7/2022	<b>D2211608-01</b>	1 OF 1		