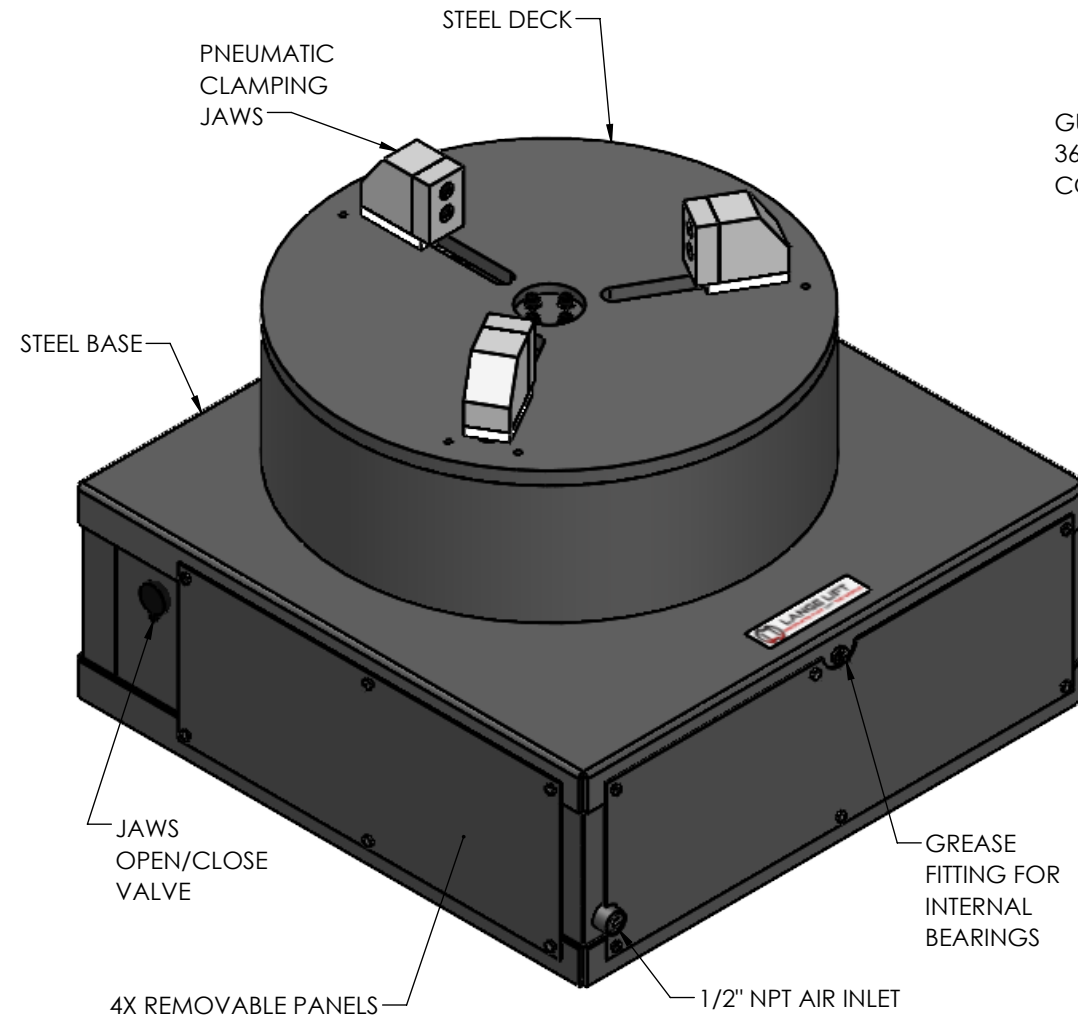


RETURN SIGNED APPROVAL DRAWING TO LANGE LIFT BY E-MAIL OR FAX. LEAD TIMES ARE DRIVEN BY THE RECEIPT OF THE SIGNED APPROVAL DRAWING FOR ALL CUSTOM AND MODIFIED PRODUCTS.

**APPROVED FOR PRODUCTION**

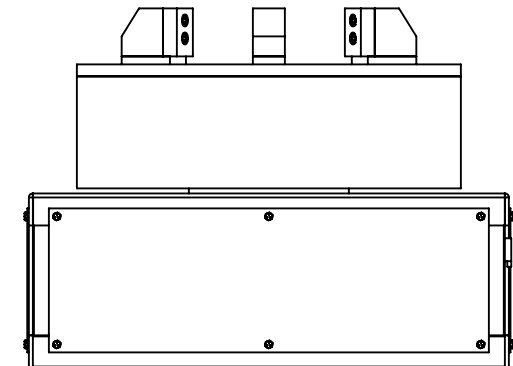
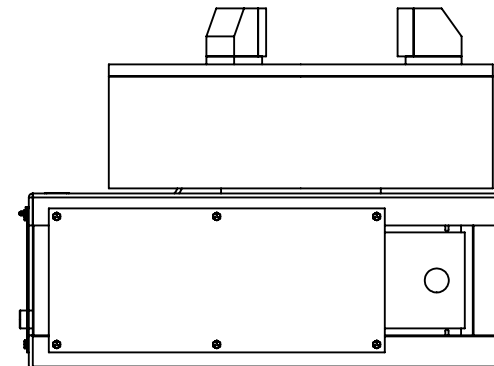
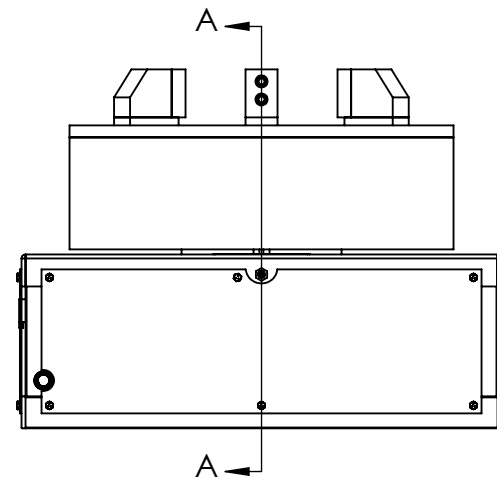
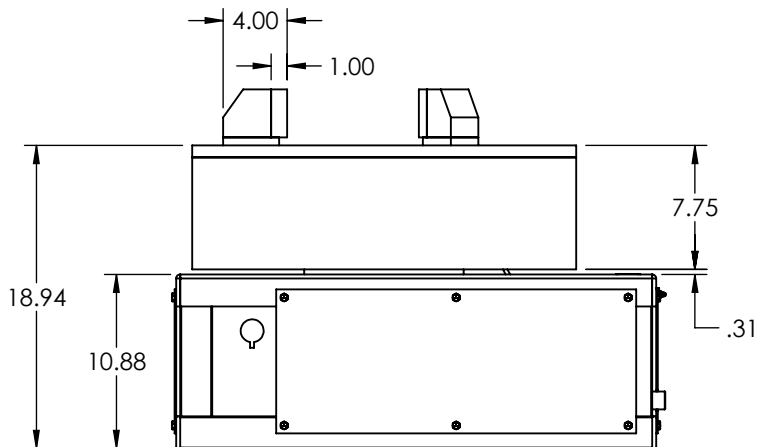
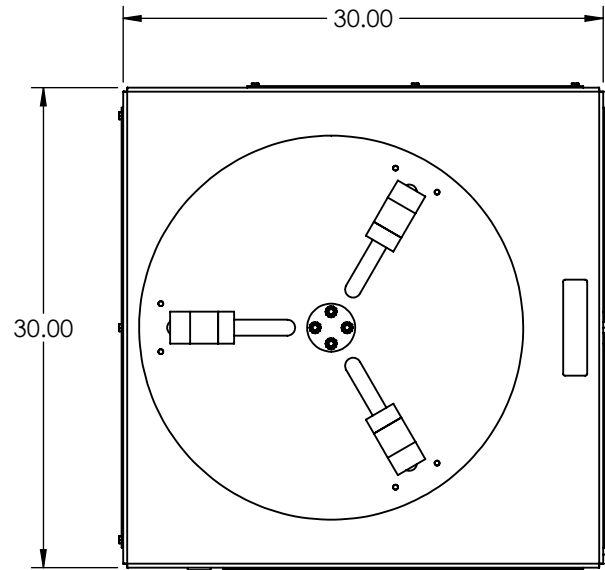
PRINT NAME:	DATE:
APPROVAL SIGNATURE:	

**CAPACITY:** 500 LBS  
**POWER:** 120VAC TO CONTROL BOX, 0-58 RPM CONTROLLER, REVERSIBLE.  
**CHUCK:** 50-80 PSI SHOP AIR  
**ROTATION CONTROL:** FOOT SWITCH  
**PAINT:** LANGE LIFT SHADOW GRAY



GUARDED FOOT SWITCH  
360° ROTATION CONTROL

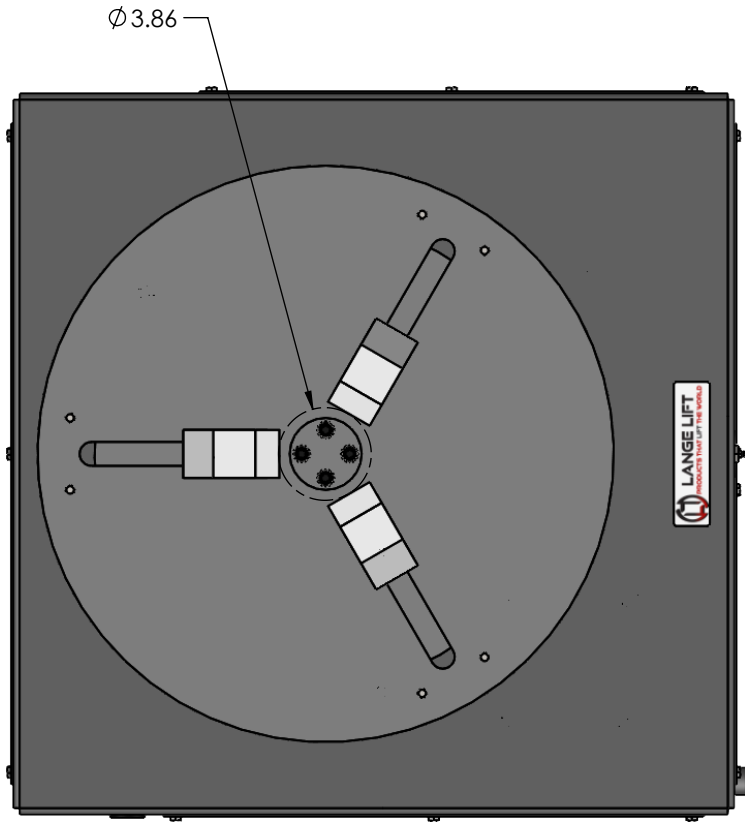
SPEED CONTROLS



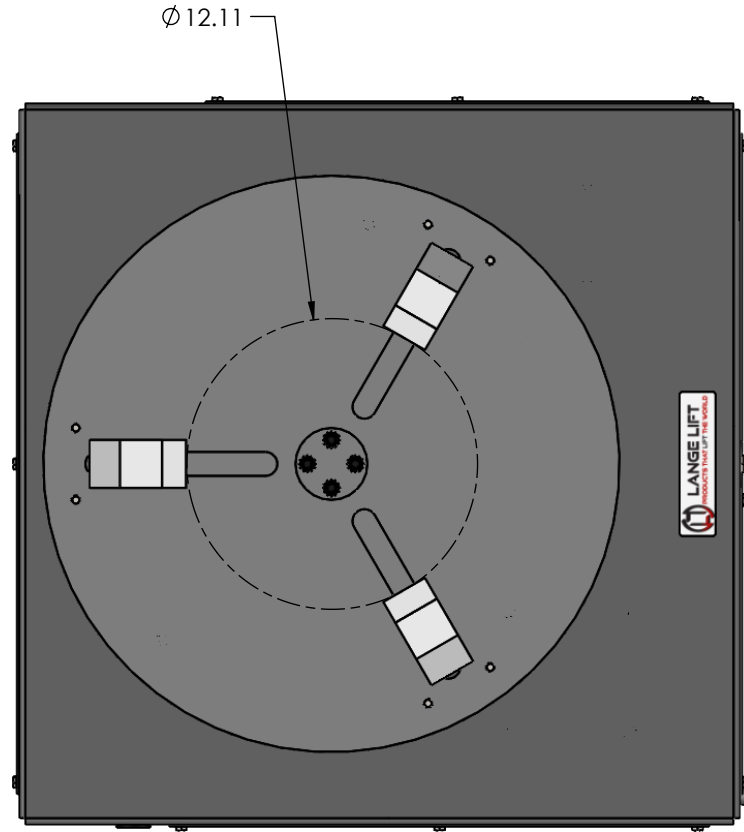
PROPRIETARY AND CONFIDENTIAL, THE INFORMATION CONTAINED IN THIS DRAWING IS THE SOLE PROPERTY OF LANGE LIFT. ANY REPRODUCTION IN PART OR AS A WHOLE WITHOUT THE WRITTEN PERMISSION OF LANGE LIFT IS PROHIBITED.



BREAK SHARP EDGES THIRD ANGLE PROJECTION	TOLERANCES UNLESS NOTED X.XX +/- 0.10 X.XXX +/- 0.030 ANGLE +/- 0.5° DIMENSIONS ARE IN INCHES	DESCRIPTION: <b>CUSTOM TURNTABLE</b>	REV: -
SCALE: NTS	DRAWN BY: DBK	DATE: 8/2/2023	DWG NO: <b>D2311767-01</b>
			SHEET: 1 OF 3



JAWS FULLY CLOSED



JAWS FULLY OPEN

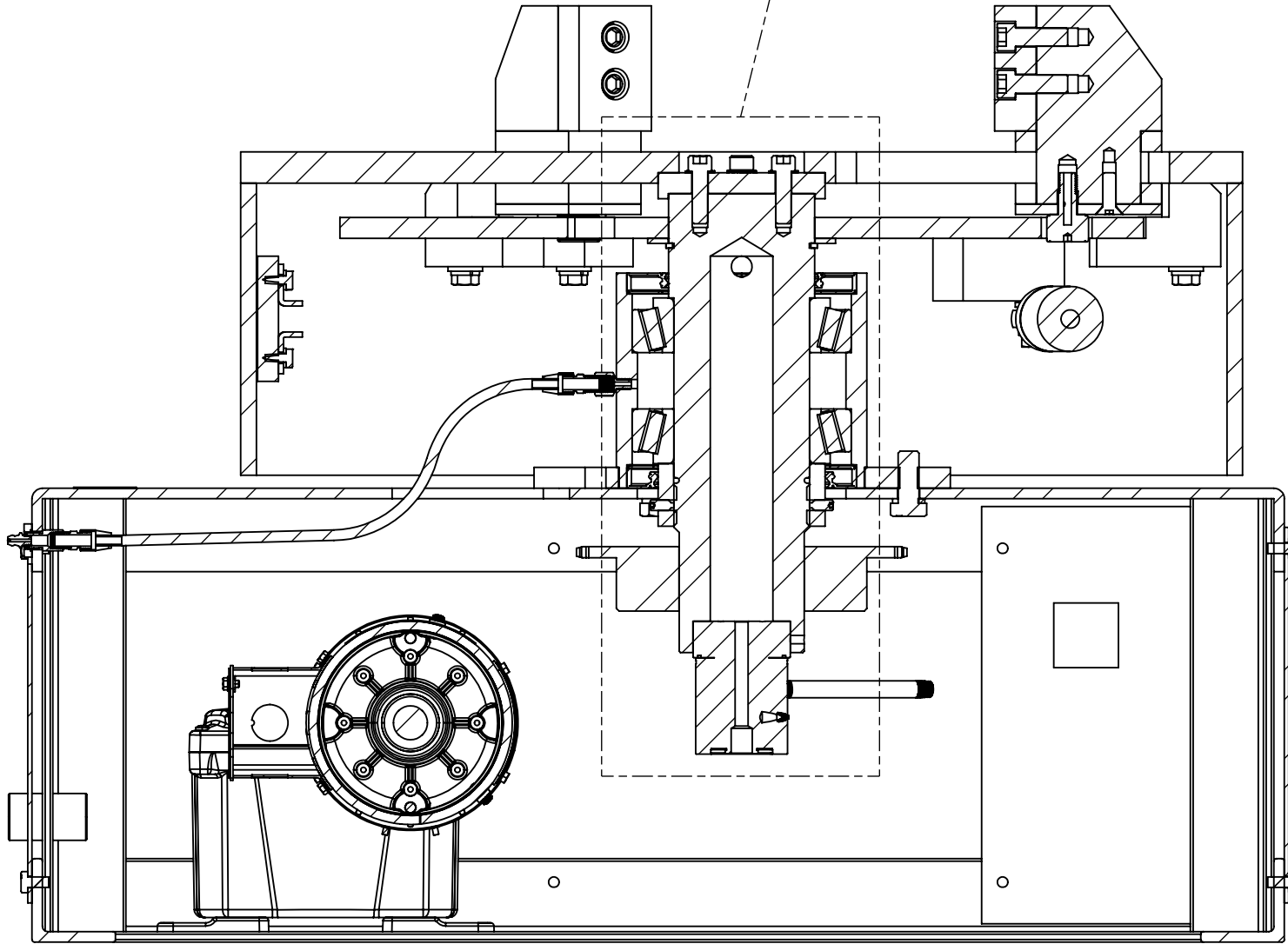


PO Box 580 Menomonee Falls, WI 53052  
Phone (262) 502-0333 | langelift.com

PROPRIETARY AND CONFIDENTIAL, THE INFORMATION CONTAINED IN THIS DRAWING IS THE SOLE PROPERTY OF LANGE LIFT. ANY REPRODUCTION IN PART OR AS A WHOLE WITHOUT THE WRITTEN PERMISSION OF LANGE LIFT IS PROHIBITED.

DIMENSIONS ARE IN INCHES		DESCRIPTION:		REV:
THIRD ANGLE PROJECTION		<b>CUSTOM TURNTABLE</b>		-
SCALE:	DRAWN BY:	DATE:	DWG NO:	SHEET:
NTS	DBK	7/26/2023	<b>D2311767-01</b>	2 OF 3

SHAFT & BEARING ASSEMBLY PER CUSTOMER DWG# D3-430690-D



SECTION A-A



PO Box 580 Menomonee Falls, WI 53052  
Phone (262) 502-0333 | langelift.com

PROPRIETARY AND CONFIDENTIAL, THE INFORMATION CONTAINED IN THIS DRAWING IS THE SOLE PROPERTY OF LANGE LIFT. ANY REPRODUCTION IN PART OR AS A WHOLE WITHOUT THE WRITTEN PERMISSION OF LANGE LIFT IS PROHIBITED.

DIMENSIONS ARE IN INCHES		THIRD ANGLE PROJECTION		DESCRIPTION:		REV:
				<b>CUSTOM TURNTABLE</b>		-
SCALE:	DRAWN BY:	DATE:	DWG NO:	SHEET:		
NTS	DBK	8/2/2023	<b>D2311767-01</b>	3 OF 3		