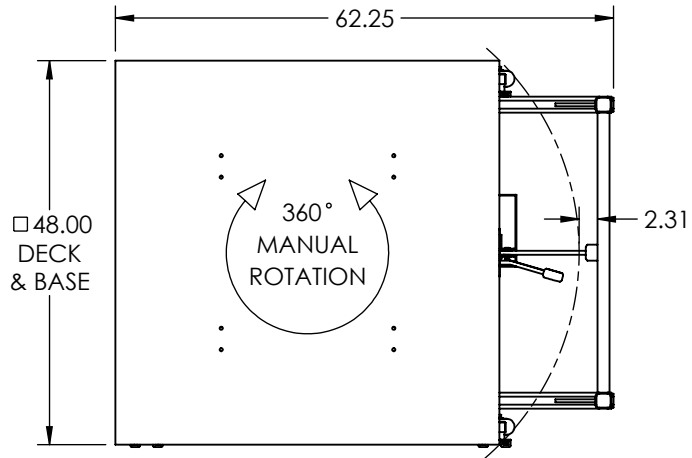
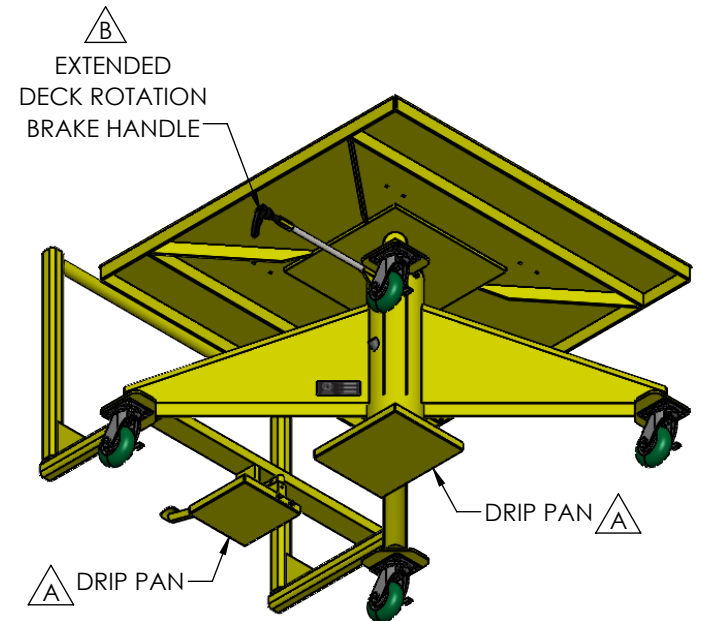
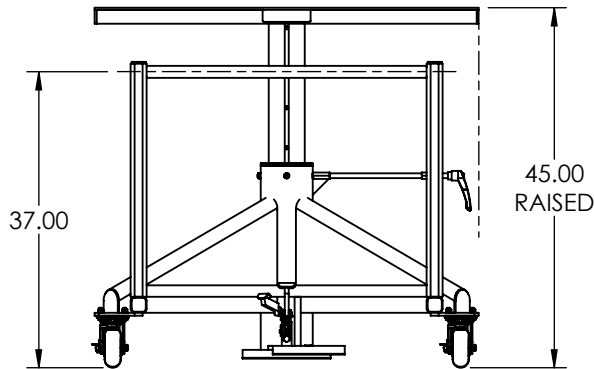
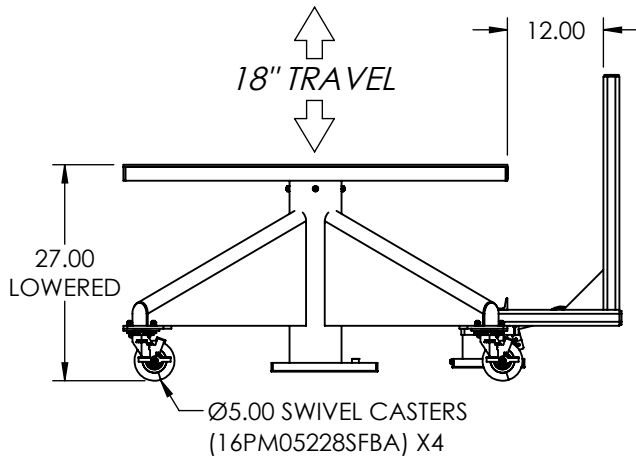
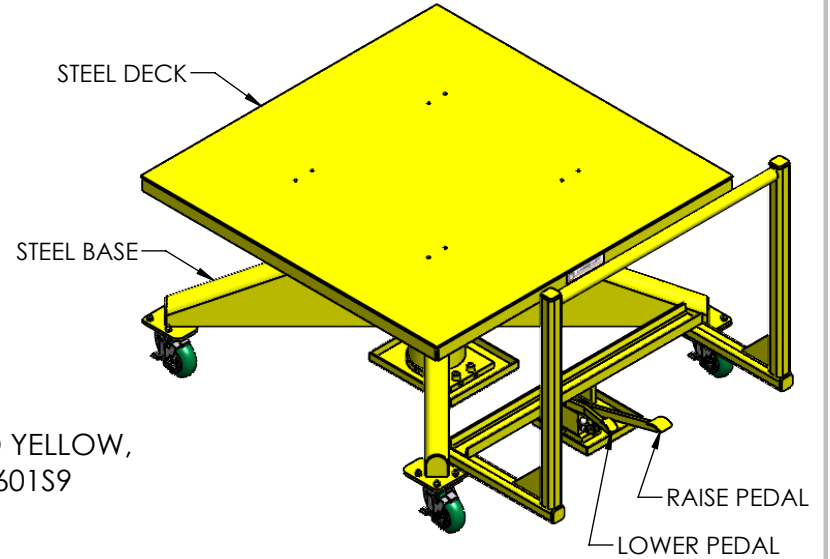


REVISIONS		
REV.	DESCRIPTION	DATE
A	ADDED DRIP PANS & LANGE LIFT TO SUPPLY CASTERS	5/23/2023
B	EXTENDED BRAKE HANDLE	5/31/2023
C	REVISED DECK HOLE PATTERN	6/5/2023



**CAPACITY:** 1,000 LBS  
**POWER:** MANUAL  
**CONTROLS:** FOOT PEDALS  
**POWDERCOAT:** AXALTA AERO YELLOW,  
 PRODUCT CODE: ALESTA PFY601S9



RETURN SIGNED APPROVAL DRAWING TO LANGE LIFT BY E-MAIL OR FAX. LEAD TIMES ARE DRIVEN BY THE RECEIPT OF THE SIGNED APPROVAL DRAWING FOR ALL CUSTOM AND MODIFIED PRODUCTS.

**APPROVED FOR PRODUCTION**

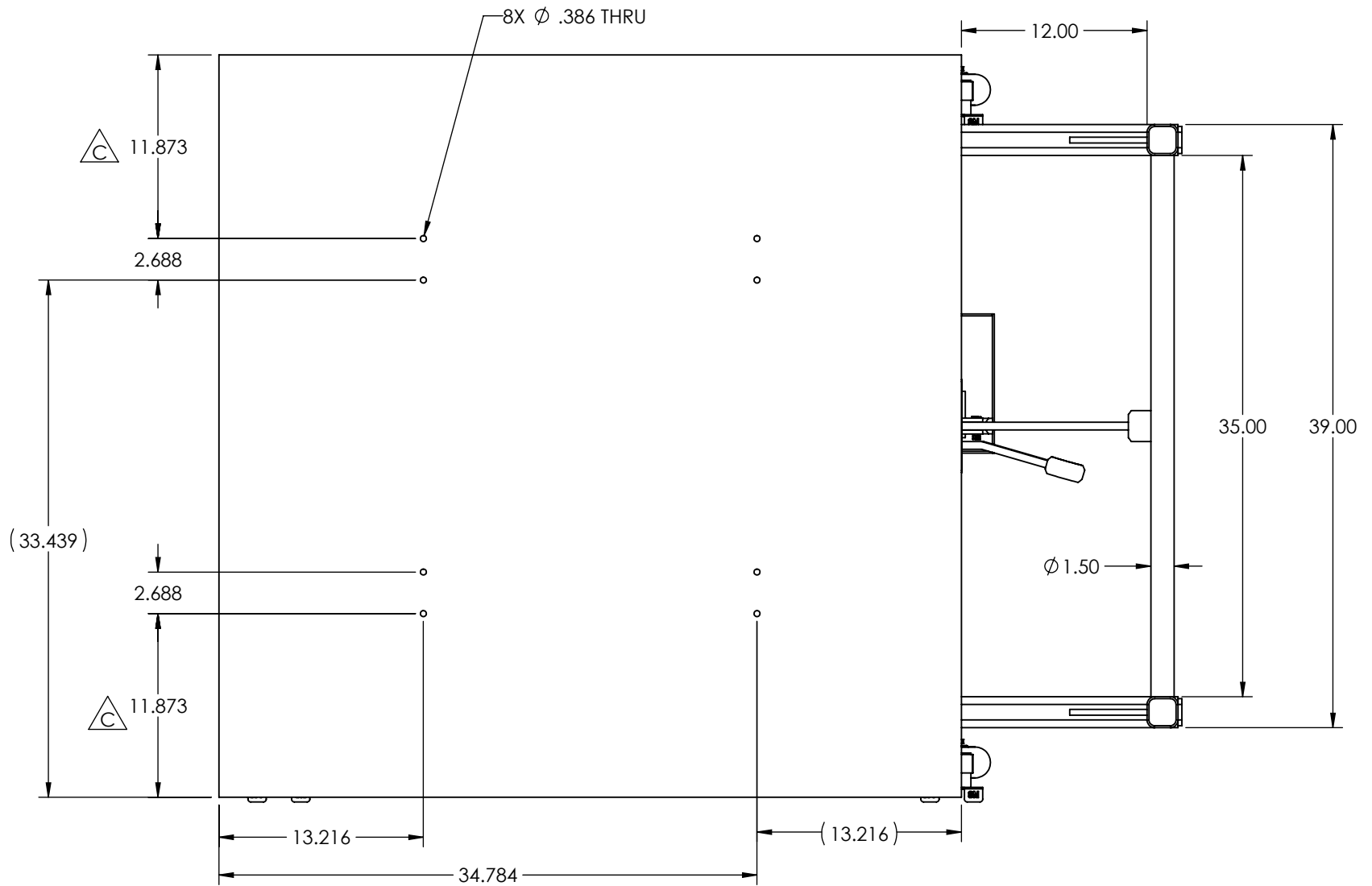
PRINT NAME:	DATE:
APPROVAL SIGNATURE:	

**LANGE LIFT**  
 PRODUCTS THAT LIFT THE WORLD

PO Box 580 Menomonee Falls, WI 53052  
 Phone (262) 502-0333 | langelift.com

PROPRIETARY AND CONFIDENTIAL, THE INFORMATION CONTAINED IN THIS DRAWING IS THE SOLE PROPERTY OF LANGE LIFT. ANY REPRODUCTION IN PART OR AS A WHOLE WITHOUT THE WRITTEN PERMISSION OF LANGE LIFT IS PROHIBITED.

DIMENSIONS ARE IN INCHES	DESCRIPTION:	REV:
THIRD ANGLE PROJECTION	<b>L-148 MODIFIED</b>	<b>C</b>
SCALE: NTS	DRAWN BY: DBK	DATE: 6/5/2023
	DWG NO: <b>D2211557-02</b>	SHEET: 1 OF 2



PO Box 580 Menomonee Falls, WI 53052  
 Phone (262) 502-0333 | langelift.com

PROPRIETARY AND CONFIDENTIAL, THE INFORMATION CONTAINED IN THIS DRAWING IS THE SOLE PROPERTY OF LANGE LIFT. ANY REPRODUCTION IN PART OR AS A WHOLE WITHOUT THE WRITTEN PERMISSION OF LANGE LIFT IS PROHIBITED.

DIMENSIONS ARE IN INCHES		THIRD ANGLE PROJECTION		DESCRIPTION:	REV:
				<b>L-148 MODIFIED</b>	<b>C</b>
SCALE:	DRAWN BY:	DATE:	DWG NO:	SHEET:	
NTS	DBK	6/5/2023	<b>D2211557-02</b>	2 OF 2	