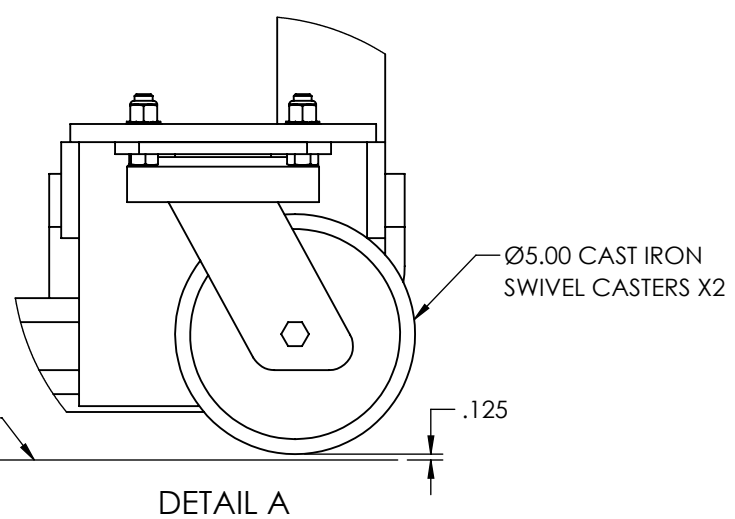
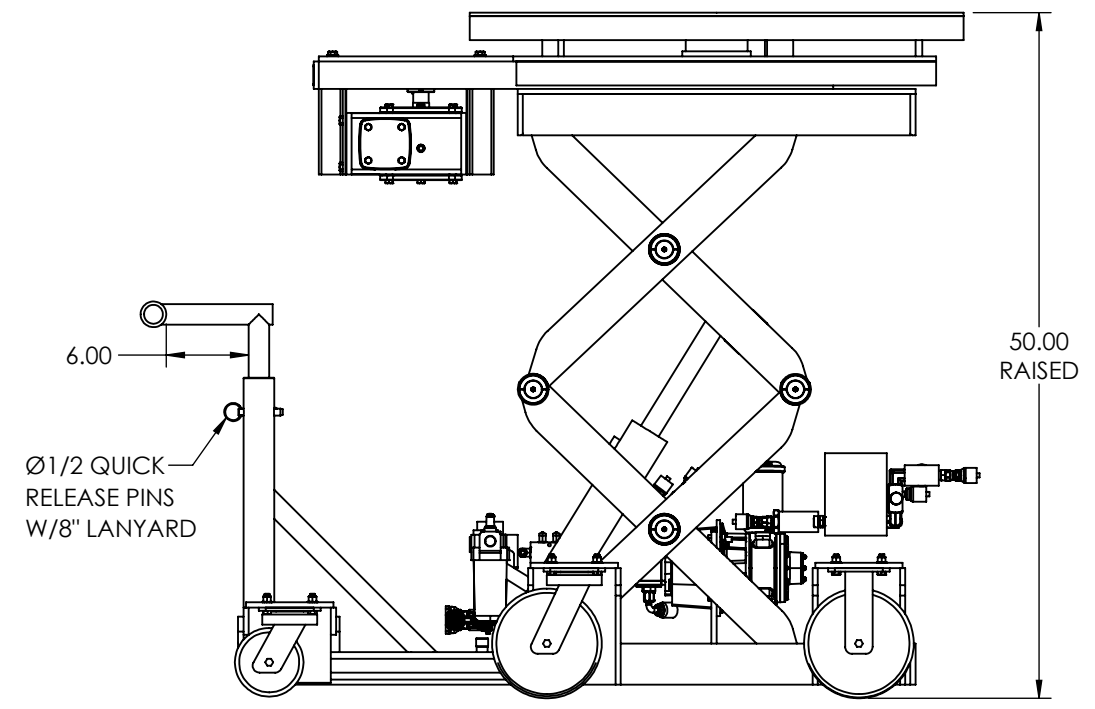
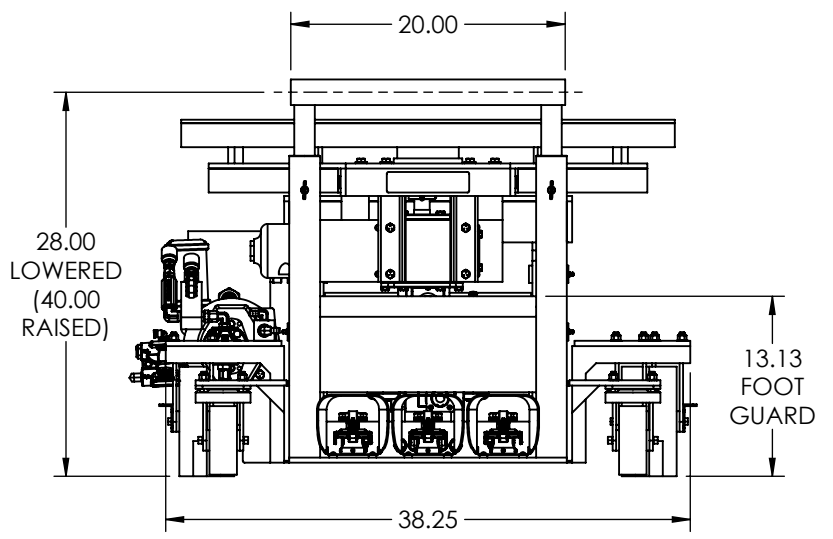
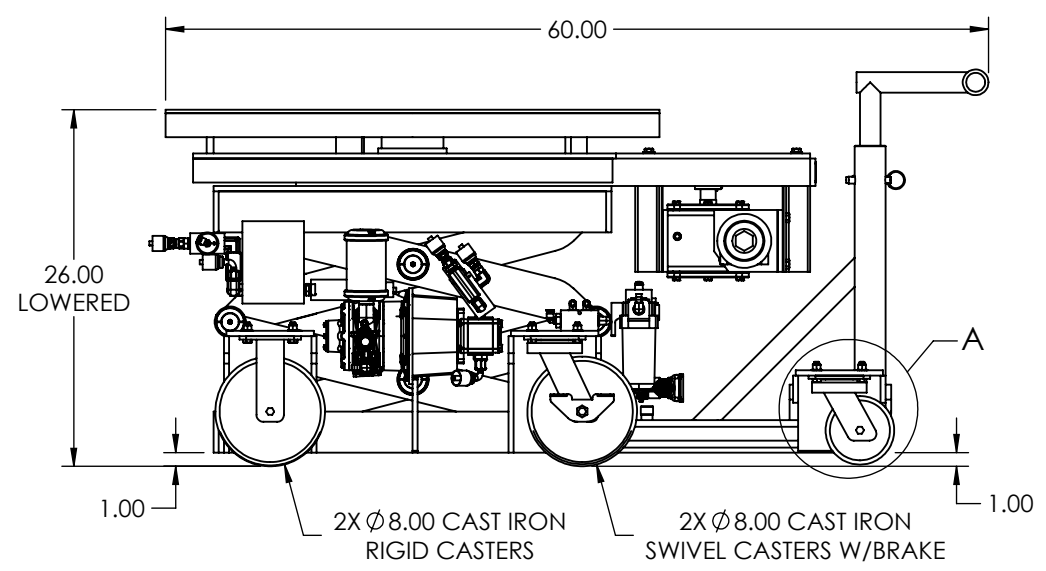
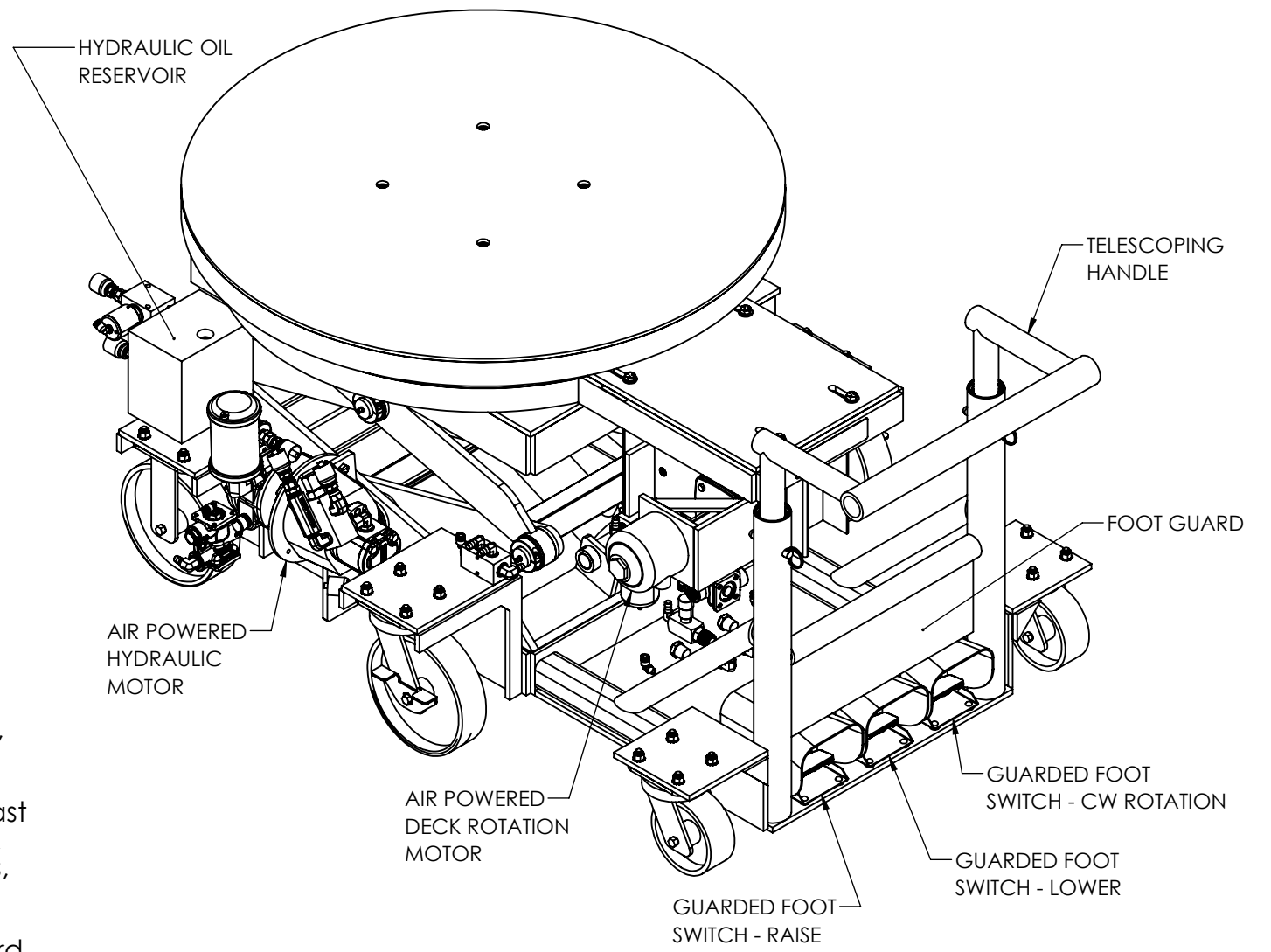
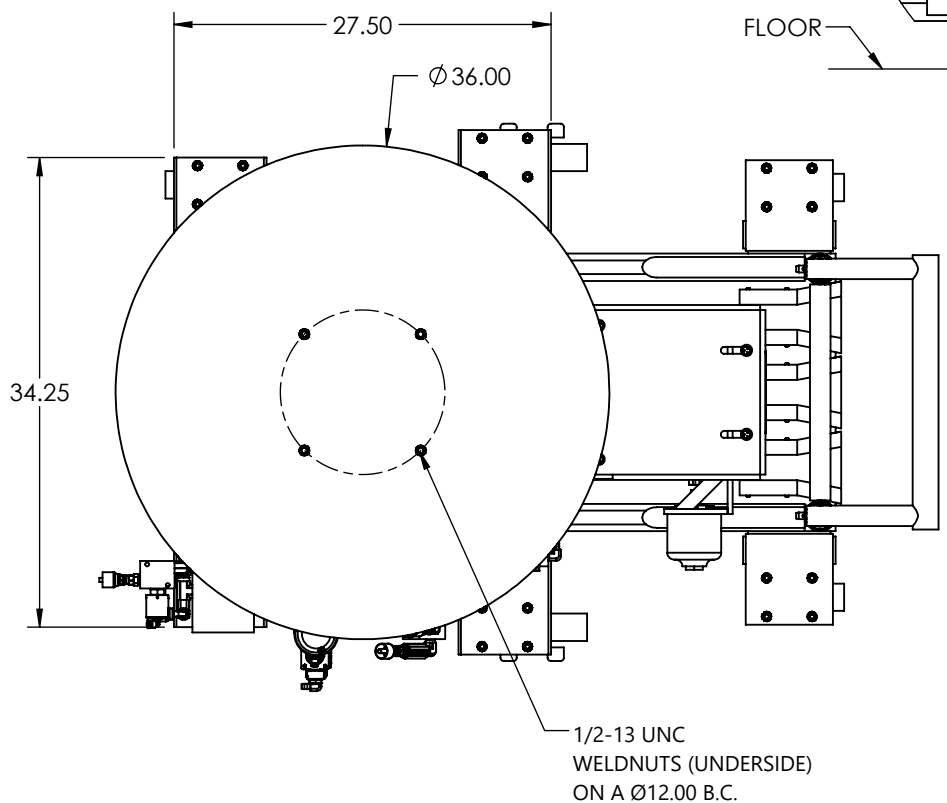


RETURN SIGNED APPROVAL DRAWING TO LANGE LIFT BY E-MAIL. LEAD TIMES ARE SUBJECT TO THE RECEIPT OF THE SIGNED APPROVAL DRAWING, AND PO, FOR ALL CUSTOM AND MODIFIED PRODUCTS.

APPROVED FOR PRODUCTION	
PRINT NAME:	DATE:
APPROVAL SIGNATURE:	



Model: Custom Scissor Lift
Capacity: 1,000 Pounds
Raised Height: 50"
Lowered Height: 26"
Travel: 24"
Deck: Ø36" Welded Steel Deck, 360° Powered CW Rotation
Base: Scissor Lift Welded Steel Frame. Features 2x Each Ø8" Cast Iron Rigid and Swivel Casters, 2x Cast Iron Swivel Support Casters, Telescoping Handle
Power: Air Motor – 80 PSI @ 50 CFM (Recommended), On Board Air Regulator, Filter, and Lubricator
Controls: Air Valve Pedals – Lift/Lower/CW Rotation
Paint: Lange Lift Shadow Gray



PROPRIETARY AND CONFIDENTIAL, THE INFORMATION CONTAINED IN THIS DRAWING IS THE SOLE PROPERTY OF LANGE LIFT. ANY REPRODUCTION IN PART OR AS A WHOLE WITHOUT THE WRITTEN PERMISSION OF LANGE LIFT IS PROHIBITED.

<p>LANGE LIFT PRODUCTS THAT LIFT THE WORLD PO Box 580 Menomonee Falls, WI 53052 Phone (262) 502-0333</p>	<p>BREAK SHARP EDGES THIRD ANGLE PROJECTION</p>	<p>TOLERANCES UNLESS NOTED X.XX +/- 0.10 X.XXX +/- 0.030 ANGLE +/- 0.5° DIMENSIONS ARE IN INCHES</p>	<p>DESCRIPTION: CUSTOM SCISSOR LIFT</p>	<p>SCALE: NTS DRAWN BY: DBK DATE: 4/19/2024</p>	<p>DWG NO: 40199</p>	<p>SHEET: 1 OF 1</p>	<p>REV: -</p>
	<p>PROPRIETARY AND CONFIDENTIAL, THE INFORMATION CONTAINED IN THIS DRAWING IS THE SOLE PROPERTY OF LANGE LIFT. ANY REPRODUCTION IN PART OR AS A WHOLE WITHOUT THE WRITTEN PERMISSION OF LANGE LIFT IS PROHIBITED.</p>						