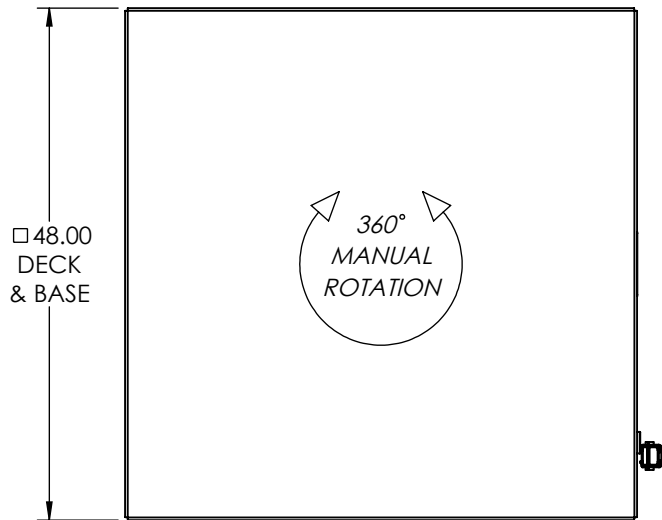
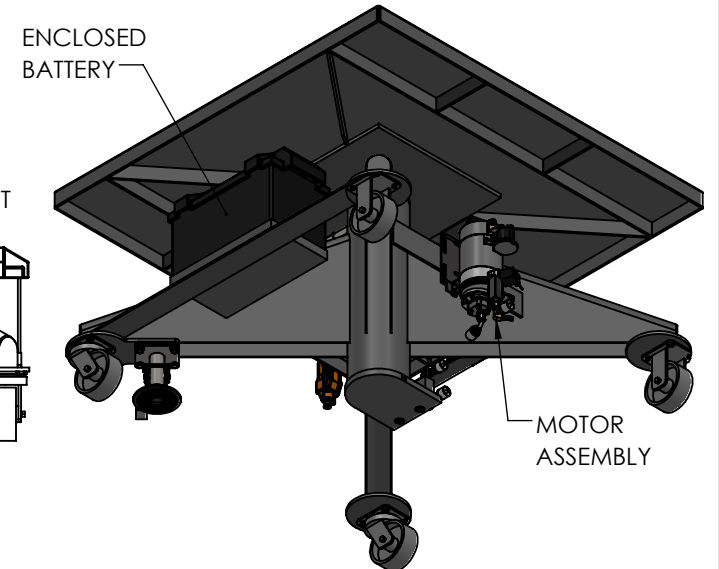
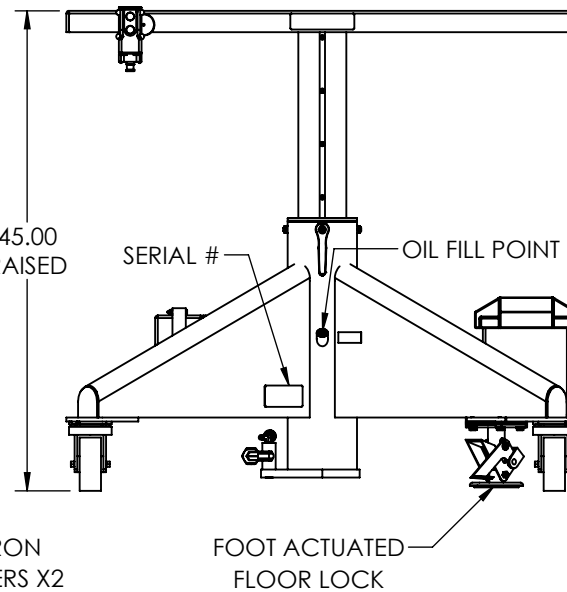
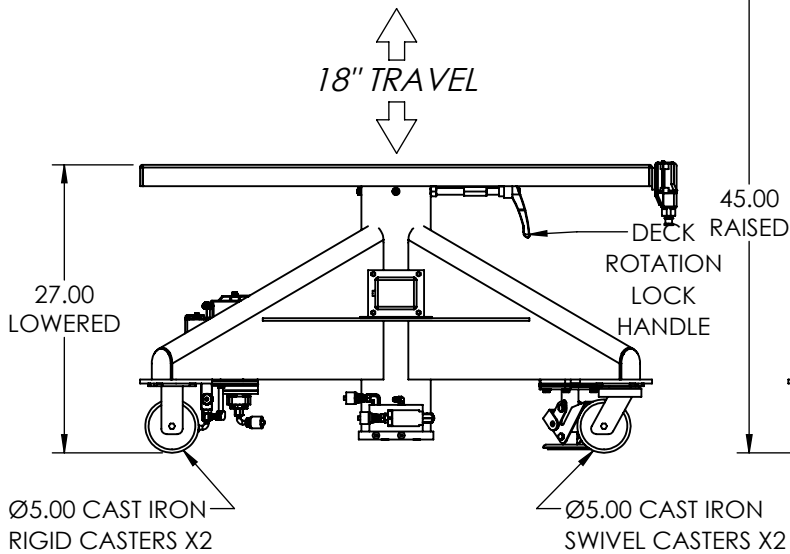
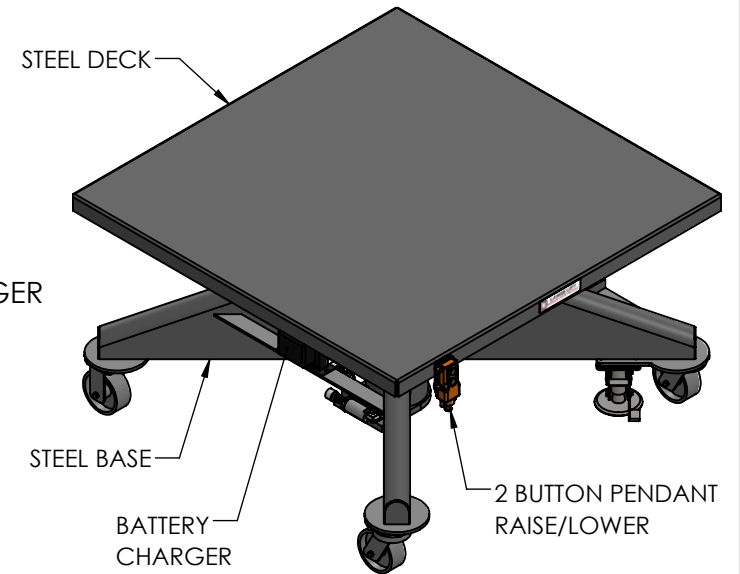


EMAIL SALES@LANGELIFT.COM FOR ALL MODIFICATION REQUIREMENTS



CAPACITY: 5,000 LBS
POWER: 12V DEEP CYCLE BATTERY, DC MOTOR & ON BOARD BATTERY CHARGER
CONTROLS: 2 BUTTON PENDANT
PAINT: LANGE LIFT SHADOW GRAY



PROPRIETARY AND CONFIDENTIAL, THE INFORMATION CONTAINED IN THIS DRAWING IS THE SOLE PROPERTY OF LANGE LIFT. ANY REPRODUCTION IN PART OR AS A WHOLE WITHOUT THE WRITTEN PERMISSION OF LANGE LIFT IS PROHIBITED.

| | | | | | | |
|--------------------------|--|------------------------|--|--------------|--|---------|
| DIMENSIONS ARE IN INCHES | | THIRD ANGLE PROJECTION | | DESCRIPTION: | | REV: |
| SCALE: | | DRAWN BY: | | DATE: | | DWG NO: |
| NTS | | DBK | | 4/18/2023 | | SHEET: |
| | | | | L-548-BP | | 1 OF 1 |