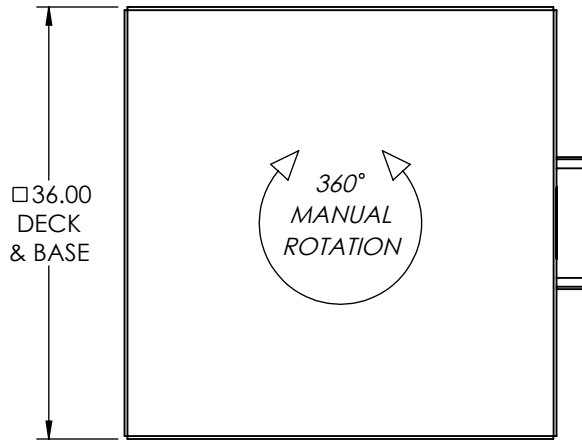
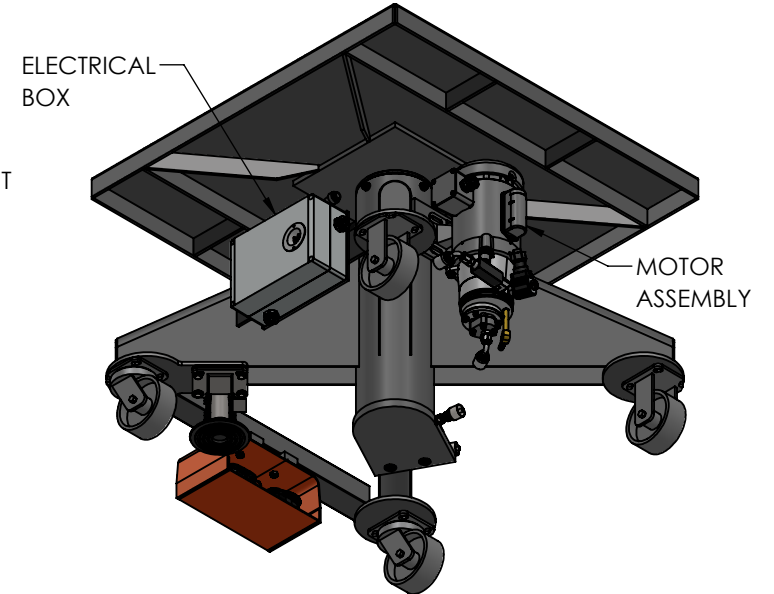
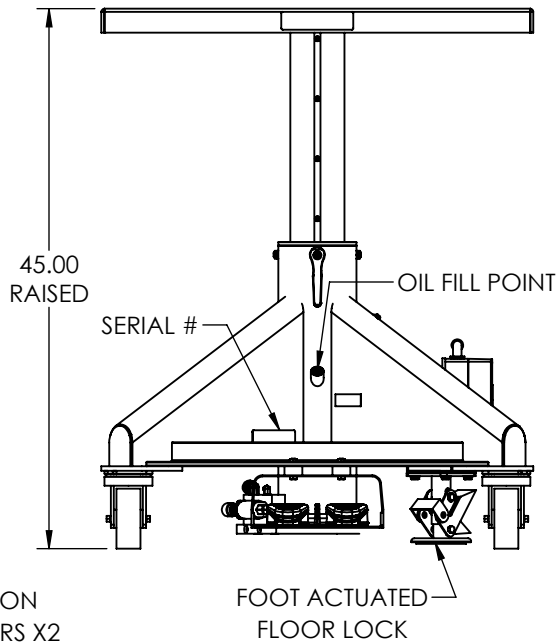
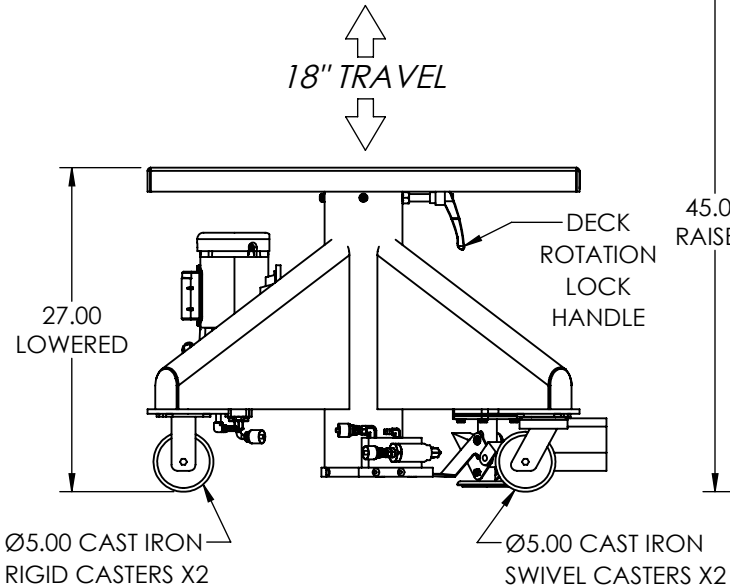
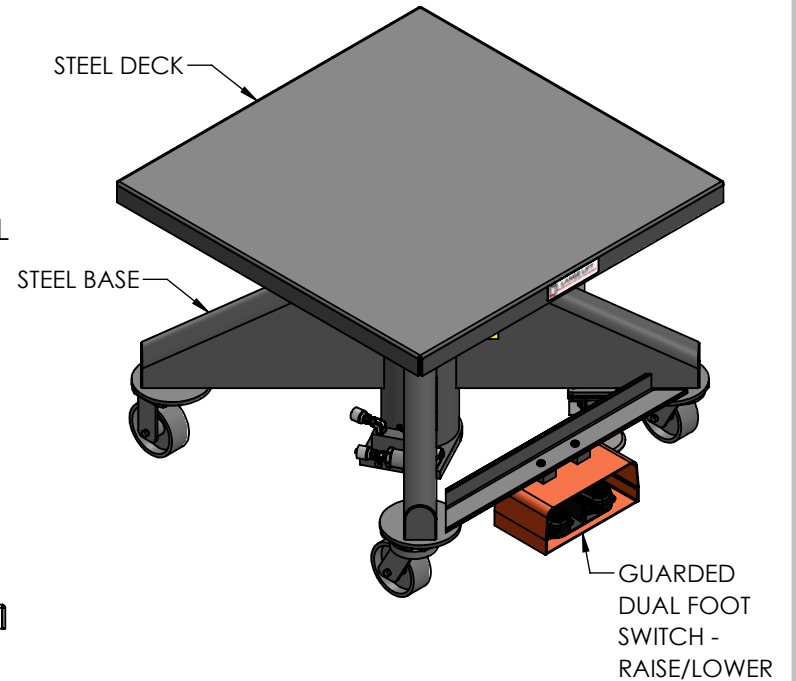


EMAIL SALES@LANGELIFT.COM FOR ALL MODIFICATION REQUIREMENTS



CAPACITY: 5,000 LBS
POWER: 120V AC ELECTRIC OVER
 HYDRAULIC MOTOR WITH ELECTRICAL
 BOX & RECEPTACLE
CONTROLS: DUAL FOOT SWITCH
PAINT: LANGE LIFT SHADOW GRAY



PROPRIETARY AND CONFIDENTIAL, THE INFORMATION CONTAINED IN THIS DRAWING IS THE SOLE PROPERTY OF LANGE LIFT. ANY REPRODUCTION IN PART OR AS A WHOLE WITHOUT THE WRITTEN PERMISSION OF LANGE LIFT IS PROHIBITED.

DIMENSIONS ARE IN INCHES THIRD ANGLE PROJECTION		DESCRIPTION: 5K LB CAPACITY, 36" DECK, ELECTRIC POWER			REV: -
SCALE: NTS	DRAWN BY: DBK	DATE: 4/18/2023	DWG NO: L-536-EP	SHEET: 1 OF 1	