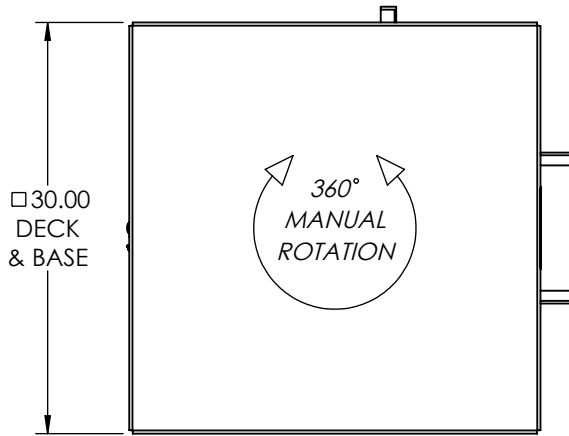
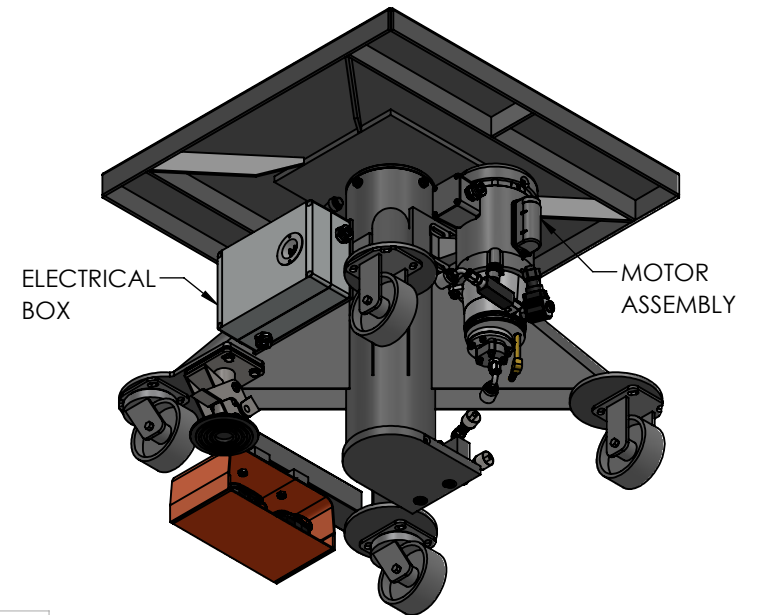
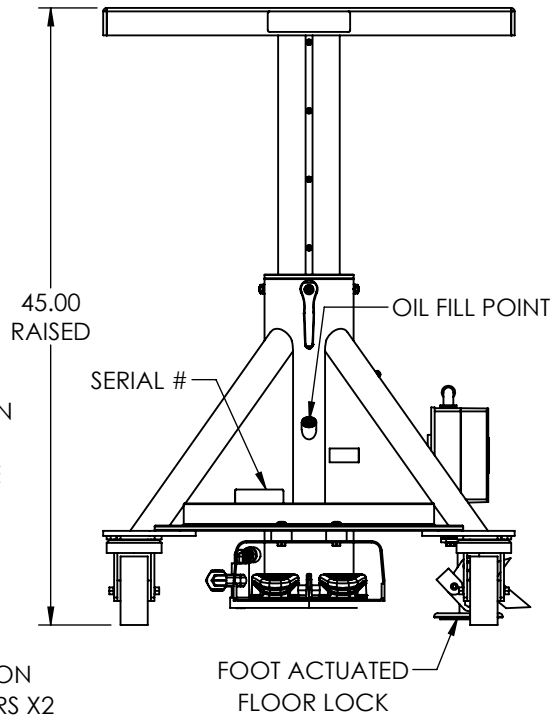
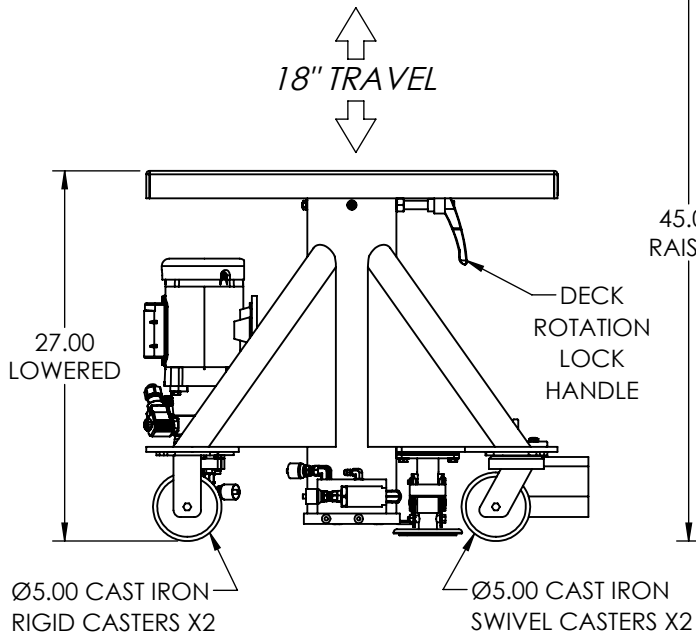
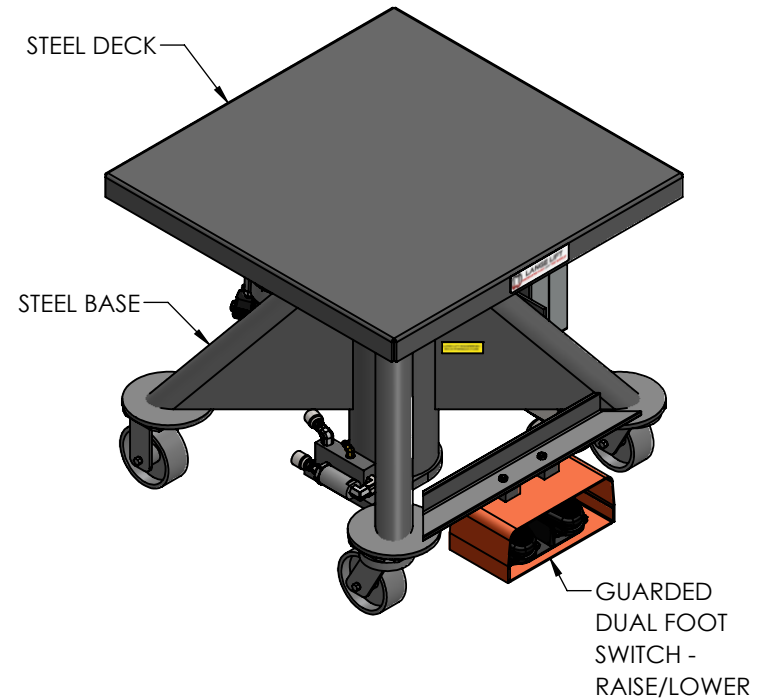


EMAIL SALES@LANGELIFT.COM FOR ALL MODIFICATION REQUIREMENTS



CAPACITY: 5,000 LBS
POWER: 120V AC ELECTRIC OVER
 HYDRAULIC MOTOR WITH ELECTRICAL
 BOX & RECEPTACLE
CONTROLS: DUAL FOOT SWITCH
PAINT: LANGE LIFT SHADOW GRAY



PROPRIETARY AND CONFIDENTIAL, THE INFORMATION CONTAINED
 IN THIS DRAWING IS THE SOLE PROPERTY OF LANGE LIFT. ANY
 REPRODUCTION IN PART OR AS A WHOLE WITHOUT THE WRITTEN
 PERMISSION OF LANGE LIFT IS PROHIBITED.



LANGE LIFT
 PRODUCTS THAT LIFT THE WORLD

PO Box 580 Menomonee Falls, WI 53052
 Phone (262) 502-0333 | langelift.com

DIMENSIONS ARE IN INCHES
 THIRD ANGLE
 PROJECTION

DESCRIPTION:
5K LB CAPACITY, 30" DECK, ELECTRIC POWER

REV:
 -



SCALE:
 NTS

DRAWN BY:
 DBK

DATE:
 4/18/2023

DWG NO:
L-530-EP

SHEET:
 1 OF 1