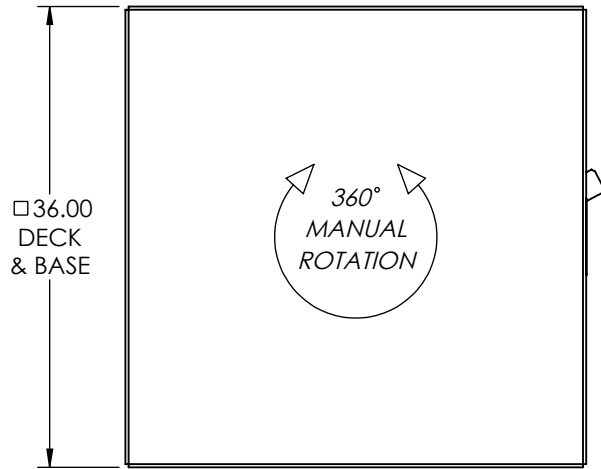
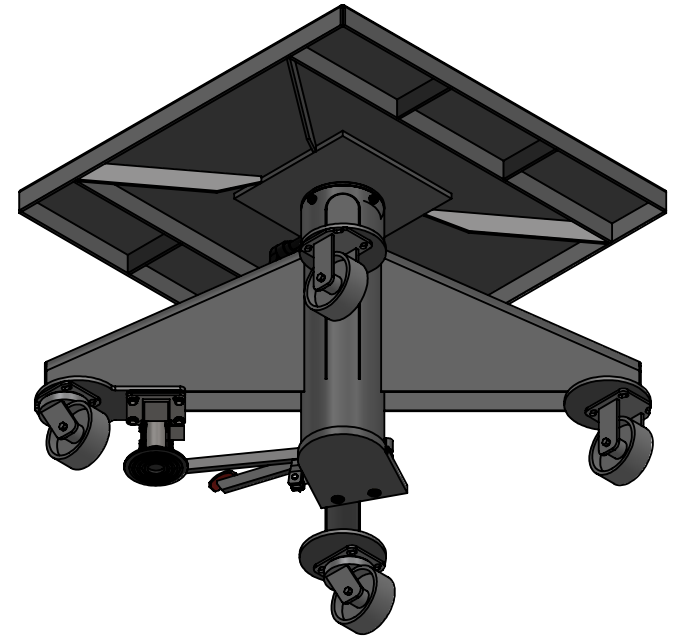
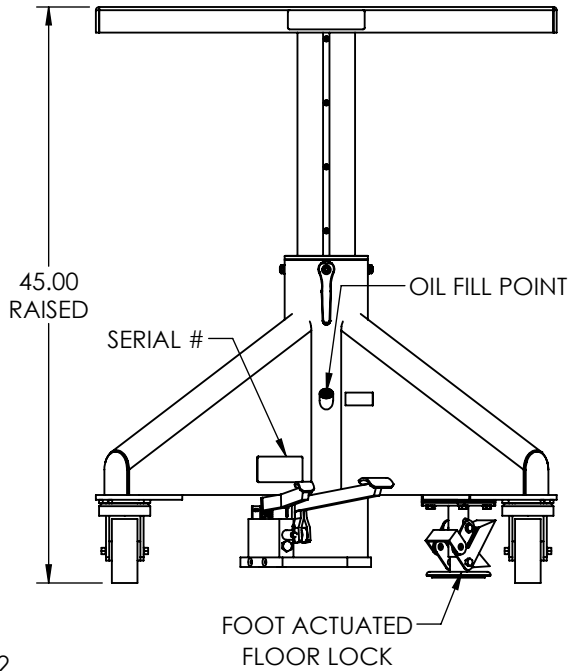
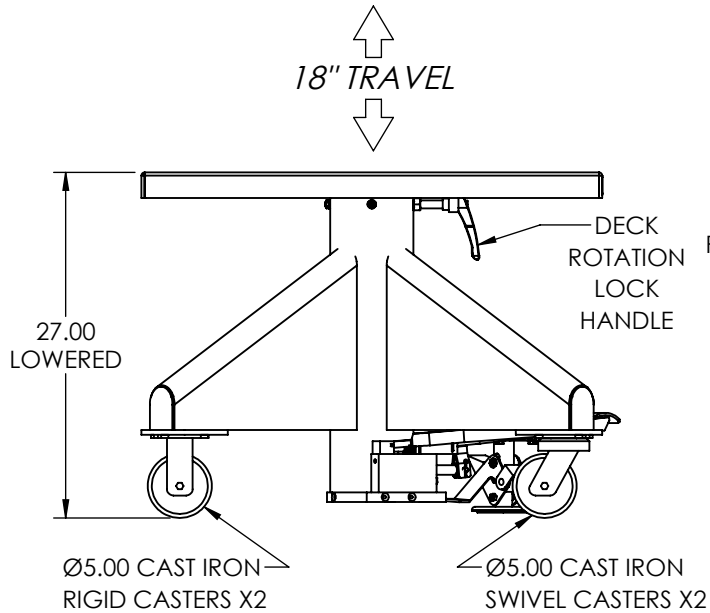
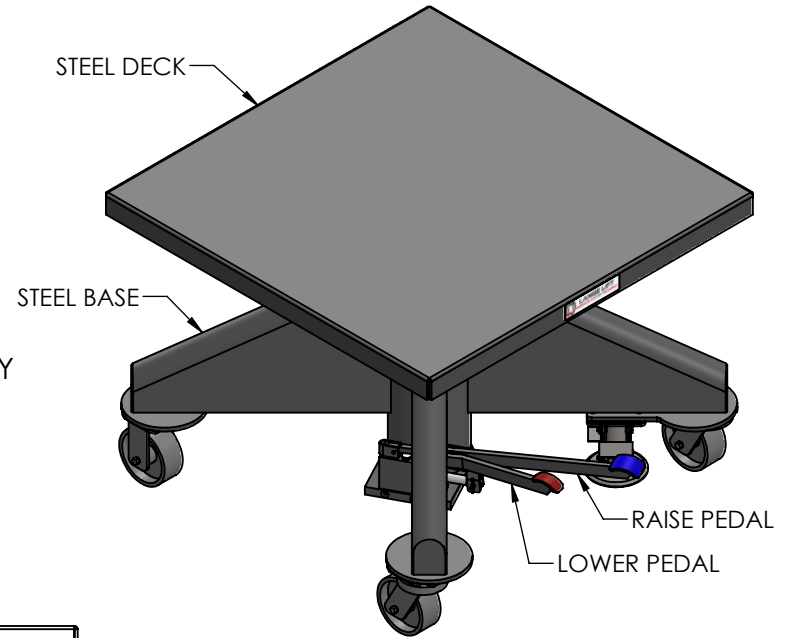


EMAIL SALES@LANGELIFT.COM FOR ALL MODIFICATION REQUIREMENTS



**CAPACITY:** 4,000 LBS  
**POWER:** MANUAL  
**CONTROLS:** FOOT PEDALS  
**PAINT:** LANGE LIFT SHADOW GRAY



PROPRIETARY AND CONFIDENTIAL, THE INFORMATION CONTAINED IN THIS DRAWING IS THE SOLE PROPERTY OF LANGE LIFT. ANY REPRODUCTION IN PART OR AS A WHOLE WITHOUT THE WRITTEN PERMISSION OF LANGE LIFT IS PROHIBITED.



DIMENSIONS ARE IN INCHES		DESCRIPTION:			REV:
THIRD ANGLE PROJECTION		<b>4K CAPACITY, 36" DECK, MANUAL POWER</b>			-
SCALE:	DRAWN BY:	DATE:	DWG NO:	SHEET:	
NTS	DBK	4/19/2023	<b>L-436</b>	1 OF 1	