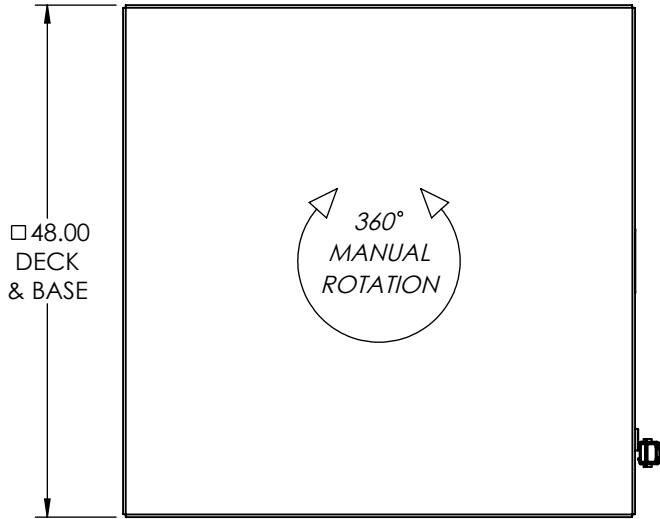
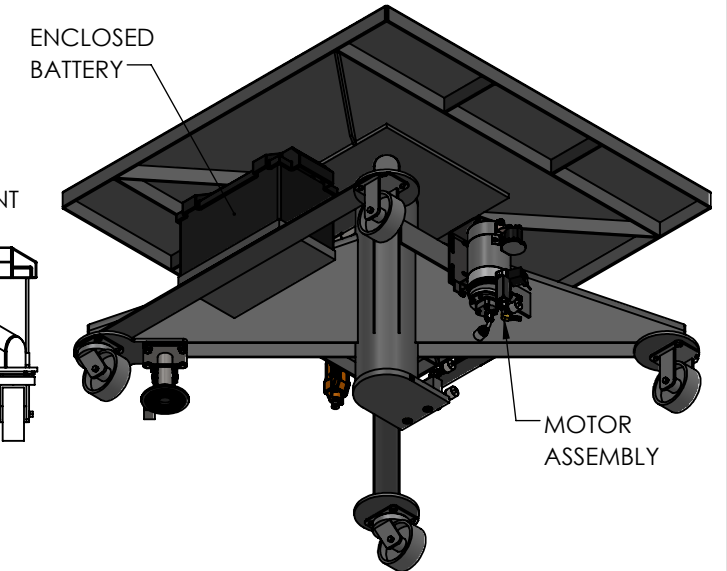
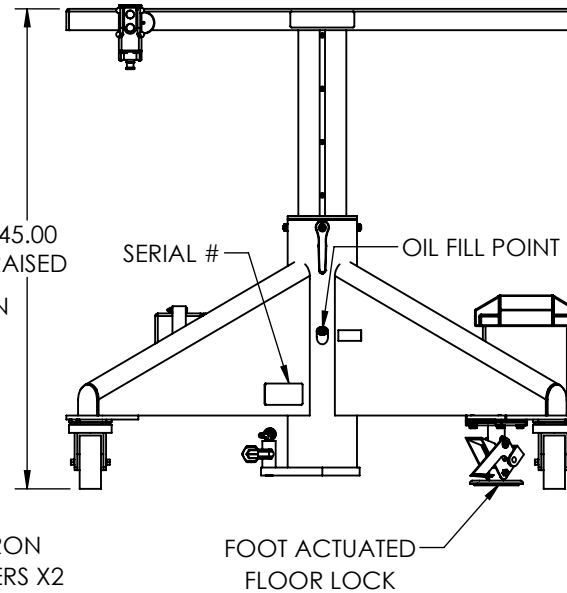
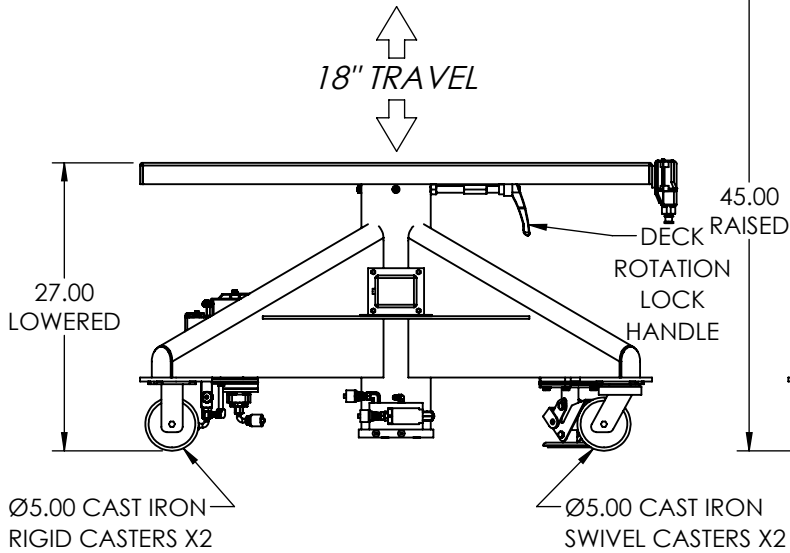
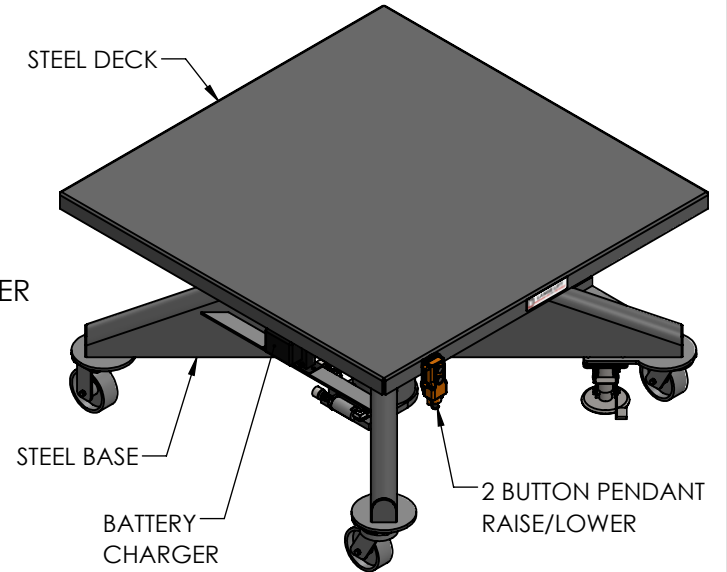


EMAIL SALES@LANGELIFT.COM FOR ALL MODIFICATION REQUIREMENTS



**CAPACITY:** 3,000 LBS  
**POWER:** 12V DEEP CYCLE BATTERY, DC MOTOR & ON BOARD BATTERY CHARGER  
**CONTROLS:** 2 BUTTON PENDANT  
**PAINT:** LANGE LIFT SHADOW GRAY



PROPRIETARY AND CONFIDENTIAL, THE INFORMATION CONTAINED IN THIS DRAWING IS THE SOLE PROPERTY OF LANGE LIFT. ANY REPRODUCTION IN PART OR AS A WHOLE WITHOUT THE WRITTEN PERMISSION OF LANGE LIFT IS PROHIBITED.

DIMENSIONS ARE IN INCHES		THIRD ANGLE PROJECTION		DESCRIPTION:	REV:
				<b>3K LB CAPACITY, 48" DECK, BATTERY POWER</b>	-
SCALE:	DRAWN BY:	DATE:	DWG NO:	SHEET:	
NTS	DBK	4/19/2023	<b>L-348-BP</b>	1 OF 1	