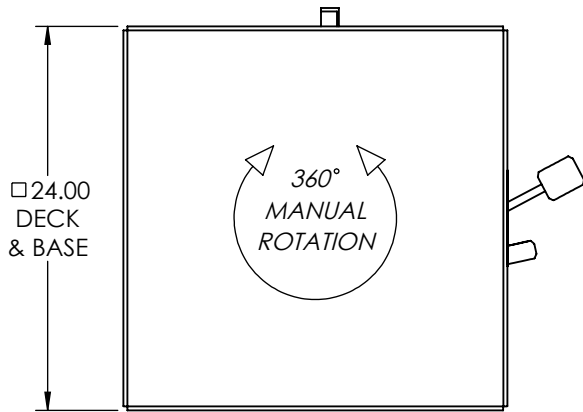
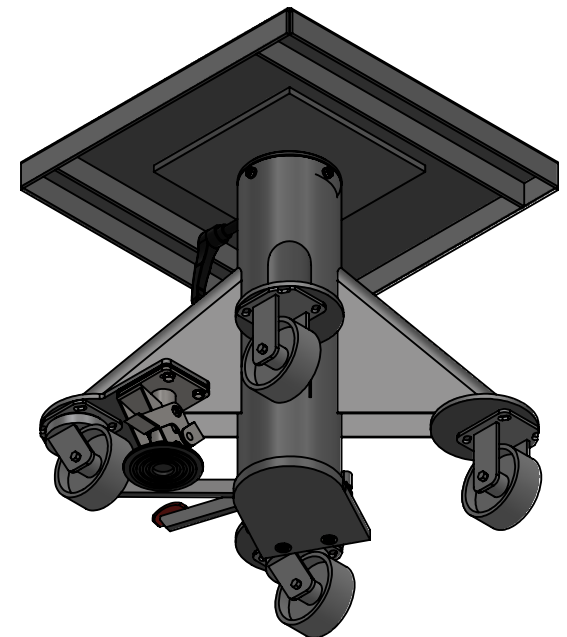
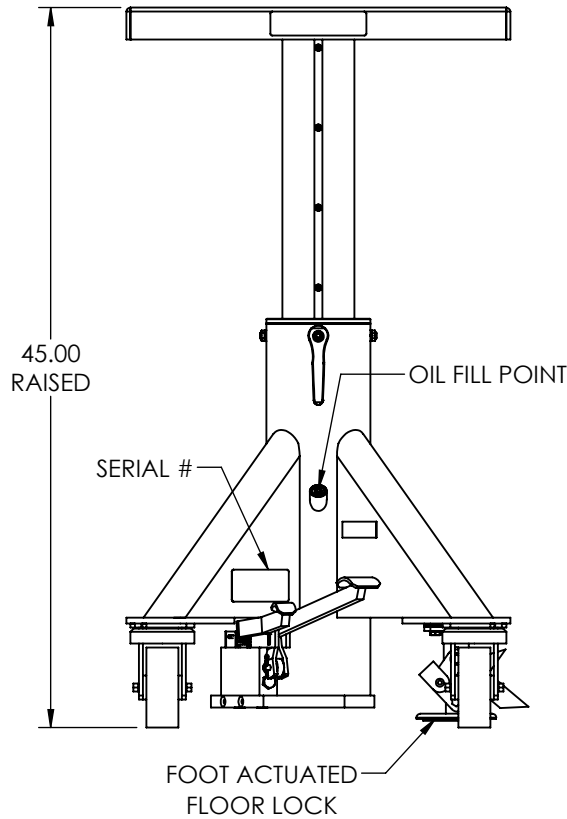
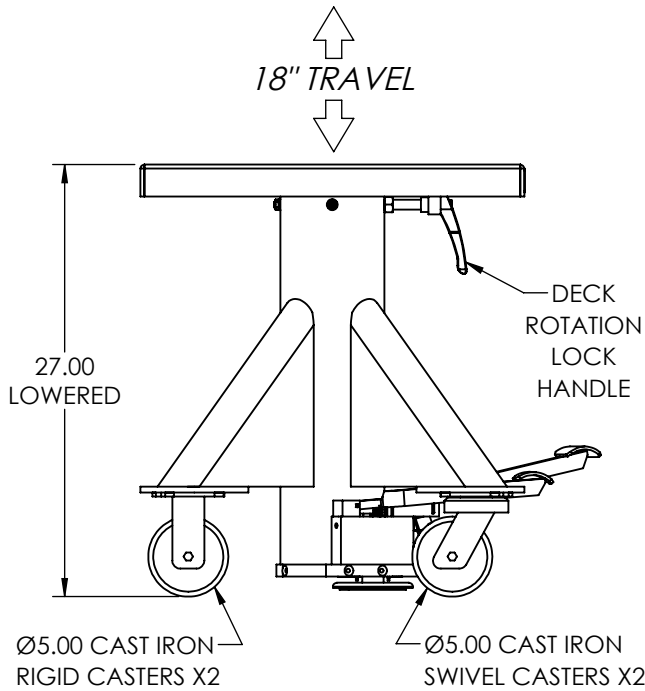
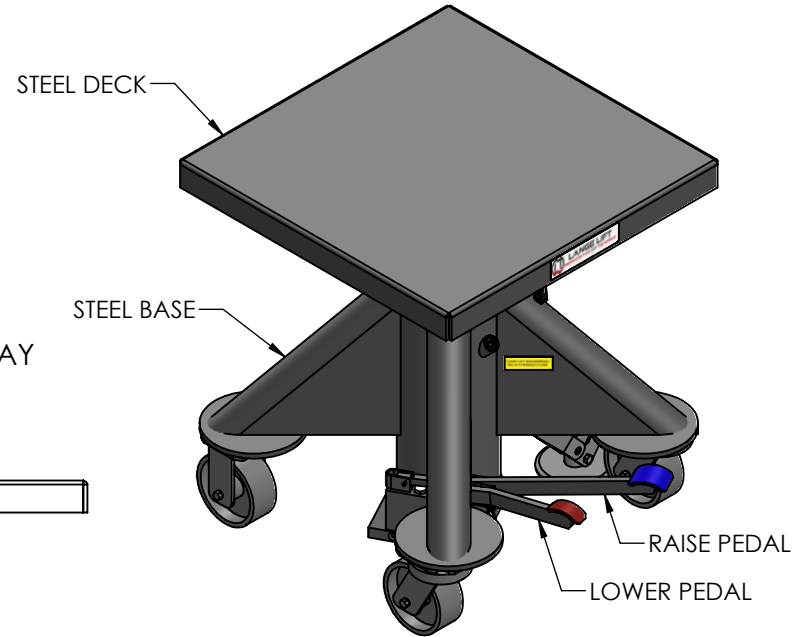


EMAIL SALES@LANGELIFT.COM FOR ALL MODIFICATION REQUIREMENTS



**CAPACITY:** 3,000 LBS  
**POWER:** MANUAL  
**CONTROLS:** FOOT PEDALS  
**PAINT:** LANGE LIFT SHADOW GRAY



PROPRIETARY AND CONFIDENTIAL, THE INFORMATION CONTAINED IN THIS DRAWING IS THE SOLE PROPERTY OF LANGE LIFT. ANY REPRODUCTION IN PART OR AS A WHOLE WITHOUT THE WRITTEN PERMISSION OF LANGE LIFT IS PROHIBITED.



DIMENSIONS ARE IN INCHES		THIRD ANGLE PROJECTION		DESCRIPTION:		REV:
				<b>3K LB CAPACITY, 24" DECK, MANUAL POWER</b>		-
SCALE:	DRAWN BY:	DATE:	DWG NO.:	SHEET:		
NTS	DBK	4/19/2023	L-324	1 OF 1		