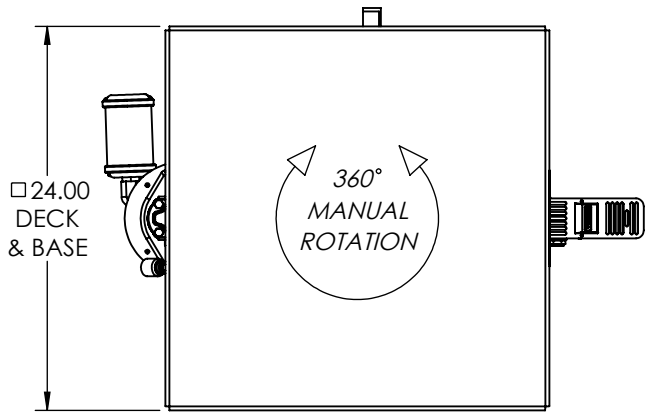
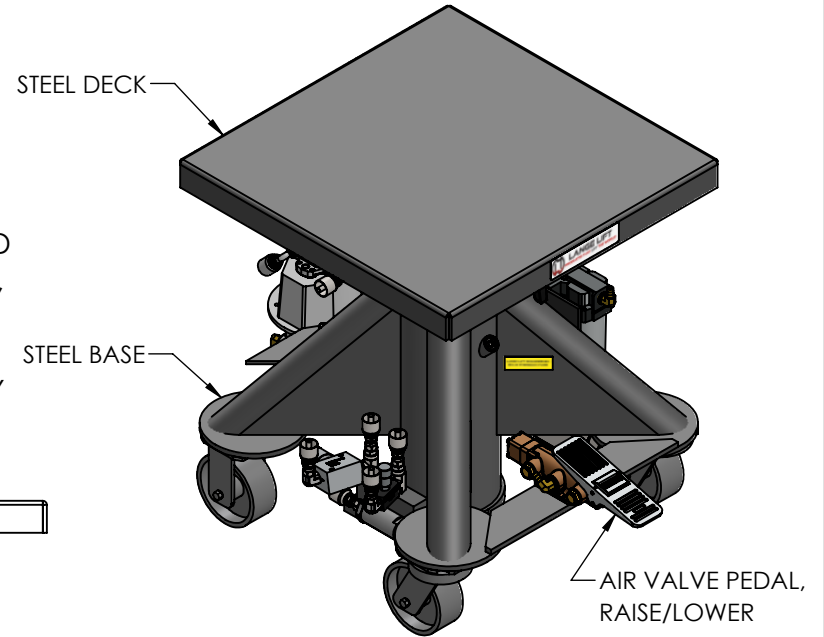


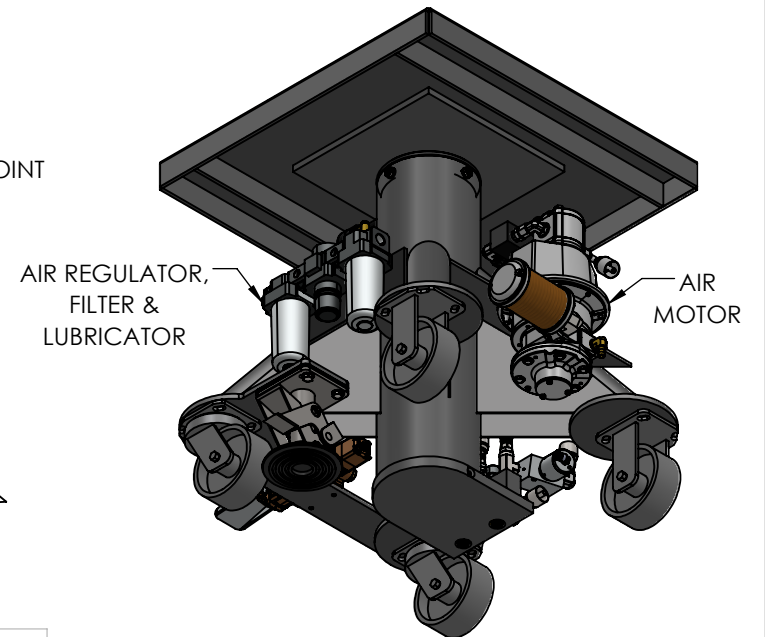
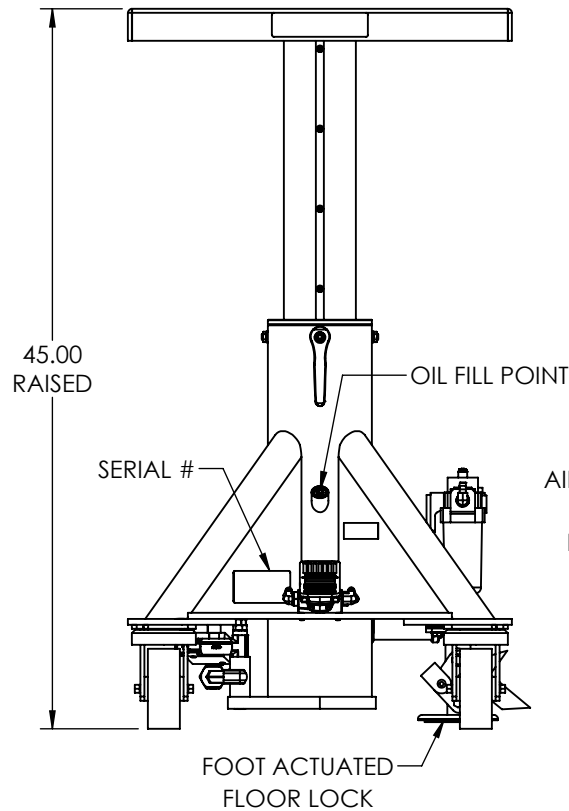
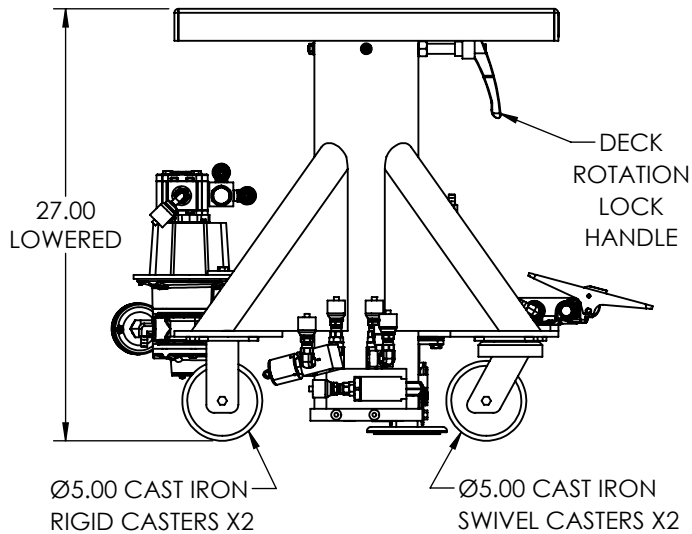
EMAIL SALES@LANGELIFT.COM FOR ALL MODIFICATION REQUIREMENTS



**CAPACITY:** 3,000 LBS  
**POWER:** AIR MOTOR W/ON BOARD REGULATOR, FILTER & LUBRICATOR, 80PSI @ 50CFM RECOMMENDED  
**CONTROLS:** AIR VALVE PEDAL  
**PAINT:** LANGE LIFT SHADOW GRAY



↑  
18" TRAVEL  
↓



PROPRIETARY AND CONFIDENTIAL, THE INFORMATION CONTAINED IN THIS DRAWING IS THE SOLE PROPERTY OF LANGE LIFT. ANY REPRODUCTION IN PART OR AS A WHOLE WITHOUT THE WRITTEN PERMISSION OF LANGE LIFT IS PROHIBITED.



DIMENSIONS ARE IN INCHES THIRD ANGLE PROJECTION		DESCRIPTION: <b>3K LB CAPACITY, 24" DECK, AIR POWER</b>			REV: -
SCALE: NTS	DRAWN BY: DBK	DATE: 4/19/2023	DWG NO: <b>L-324-AP</b>	SHEET: 1 OF 1	