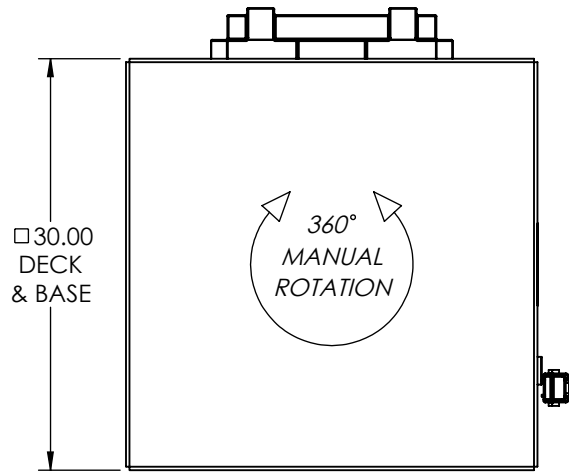
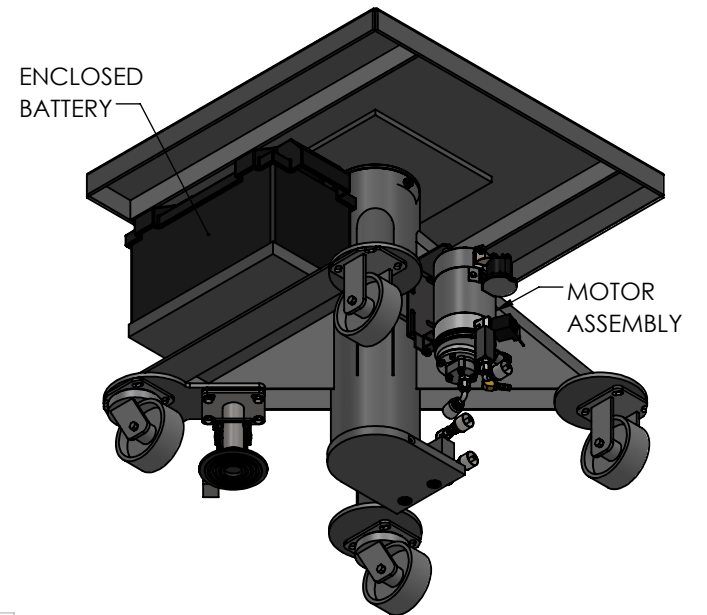
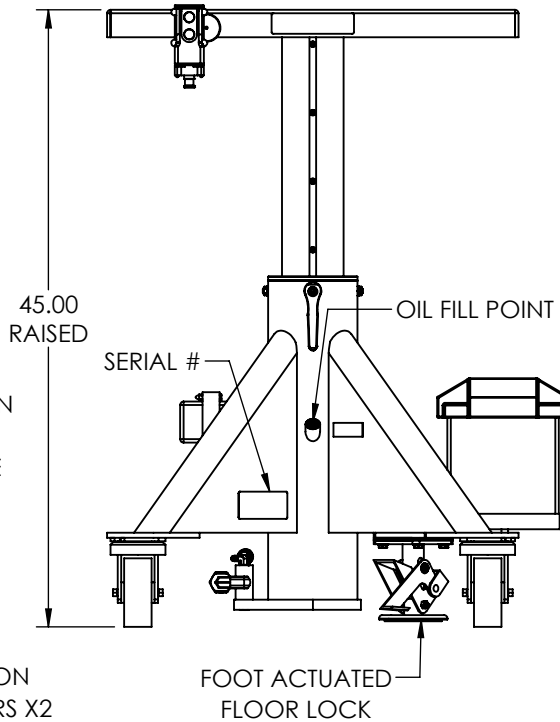
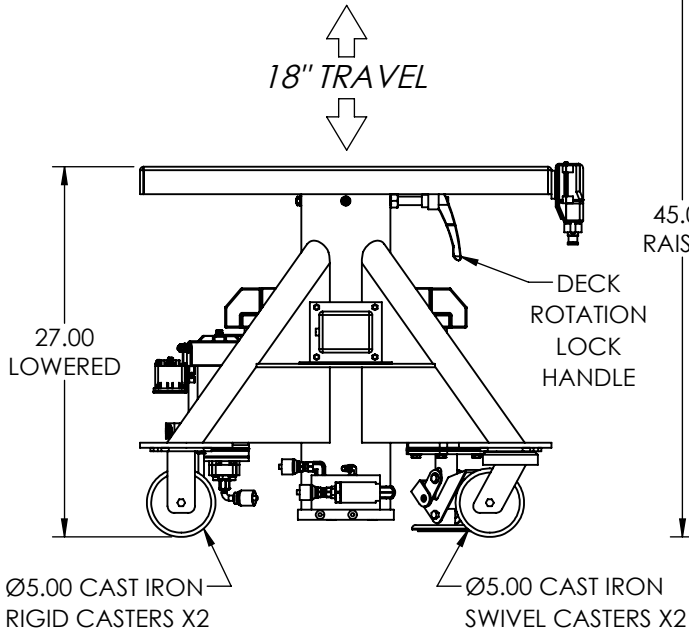
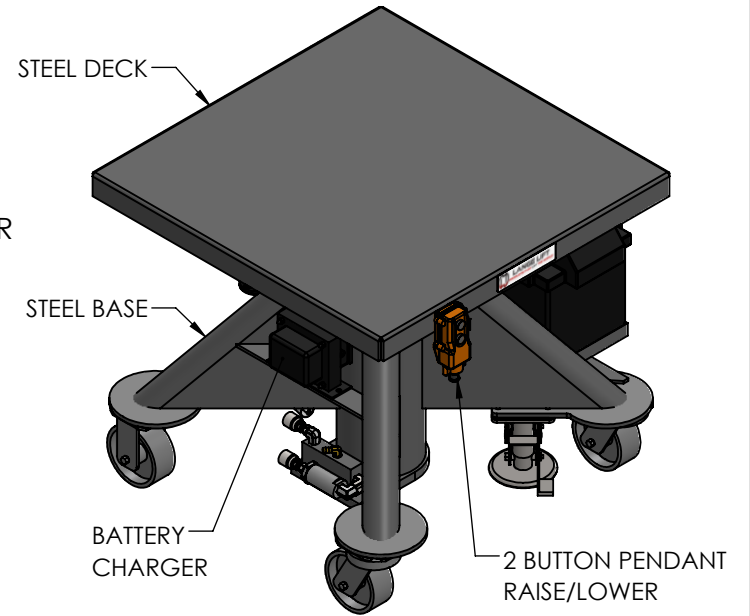


EMAIL SALES@LANGELIFT.COM FOR ALL MODIFICATION REQUIREMENTS



CAPACITY: 2,000 LBS
POWER: 12V DEEP CYCLE BATTERY, DC MOTOR & ON BOARD BATTERY CHARGER
CONTROLS: 2 BUTTON PENDANT
PAINT: LANGE LIFT SHADOW GRAY



PROPRIETARY AND CONFIDENTIAL, THE INFORMATION CONTAINED IN THIS DRAWING IS THE SOLE PROPERTY OF LANGE LIFT. ANY REPRODUCTION IN PART OR AS A WHOLE WITHOUT THE WRITTEN PERMISSION OF LANGE LIFT IS PROHIBITED.

LANGE LIFT
PRODUCTS THAT LIFT THE WORLD
 PO Box 580 Menomonee Falls, WI 53052
 Phone (262) 502-0333 | langelift.com

DIMENSIONS ARE IN INCHES		THIRD ANGLE PROJECTION		DESCRIPTION:		REV:
				2K LB CAPACITY, 30" DECK, BATTERY POWER		-
SCALE:	DRAWN BY:	DATE:	DWG NO:	SHEET:		
NTS	DBK	4/18/2023	L-230-BP	1 OF 1		