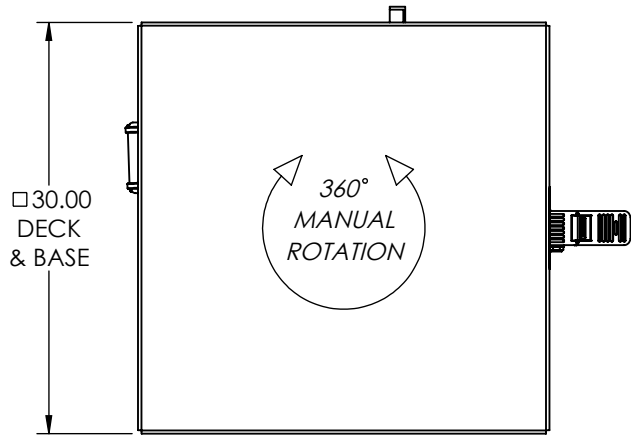
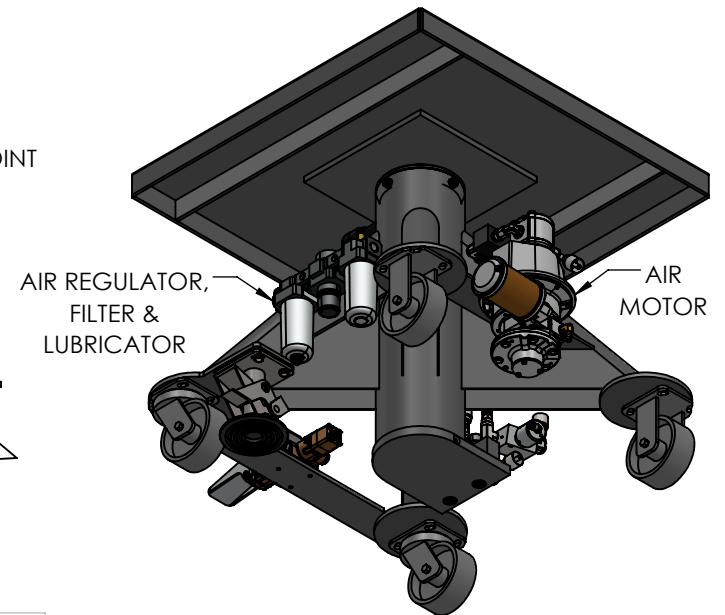
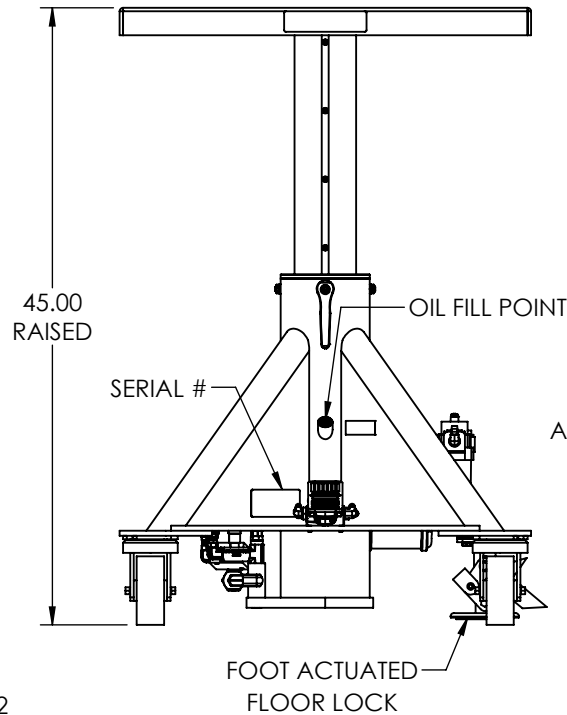
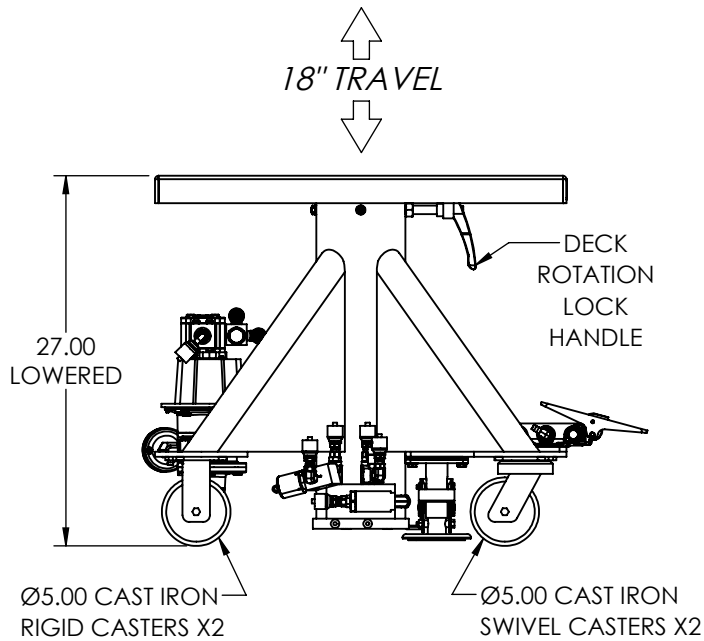
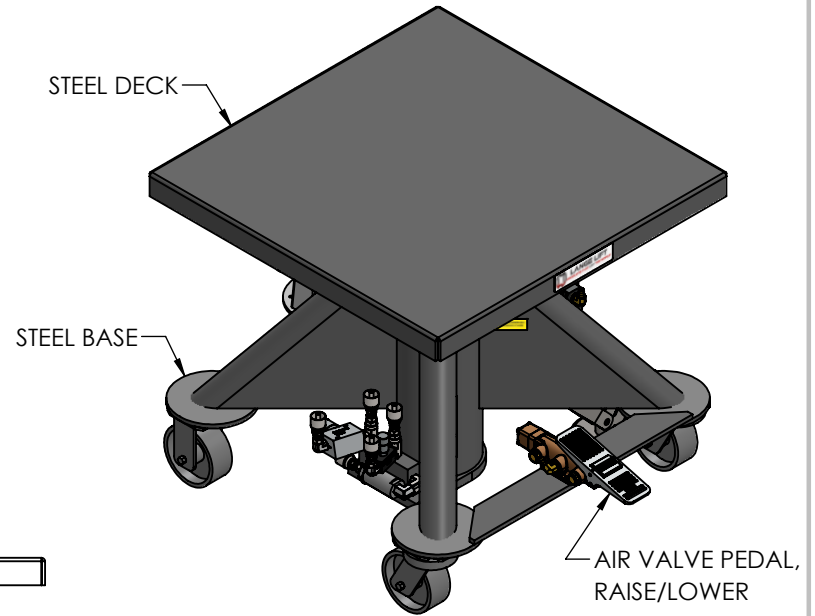


EMAIL SALES@LANGELIFT.COM FOR ALL MODIFICATION REQUIREMENTS



**CAPACITY:** 2,000 LBS  
**POWER:** AIR MOTOR W/ON BOARD  
 REGULATOR, FILTER & LUBRICATOR,  
 80PSI @ 50CFM RECOMMENDED  
**CONTROLS:** AIR VALVE PEDAL  
**PAINT:** LANGE LIFT SHADOW GRAY



PROPRIETARY AND CONFIDENTIAL, THE INFORMATION CONTAINED  
 IN THIS DRAWING IS THE SOLE PROPERTY OF LANGE LIFT. ANY  
 REPRODUCTION IN PART OR AS A WHOLE WITHOUT THE WRITTEN  
 PERMISSION OF LANGE LIFT IS PROHIBITED.



**LANGE LIFT**  
 PRODUCTS THAT LIFT THE WORLD

PO Box 580 Menomonee Falls, WI 53052  
 Phone (262) 502-0333 | langelift.com

DIMENSIONS ARE IN INCHES  
 THIRD ANGLE  
 PROJECTION

DESCRIPTION:  
**2K LB CAPACITY, 30" DECK, AIR POWER**

REV:  
 -



SCALE:  
 NTS

DRAWN BY:  
 DBK

DATE:  
 11/18/2022

DWG NO:  
**L-230-AP**

SHEET:  
 1 OF 1