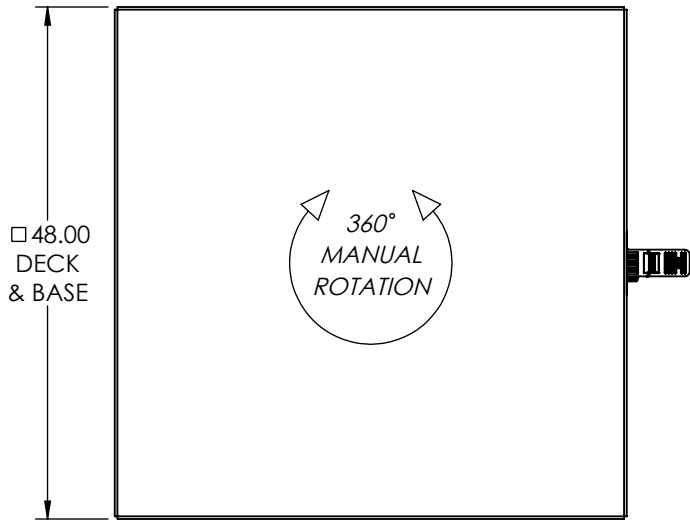
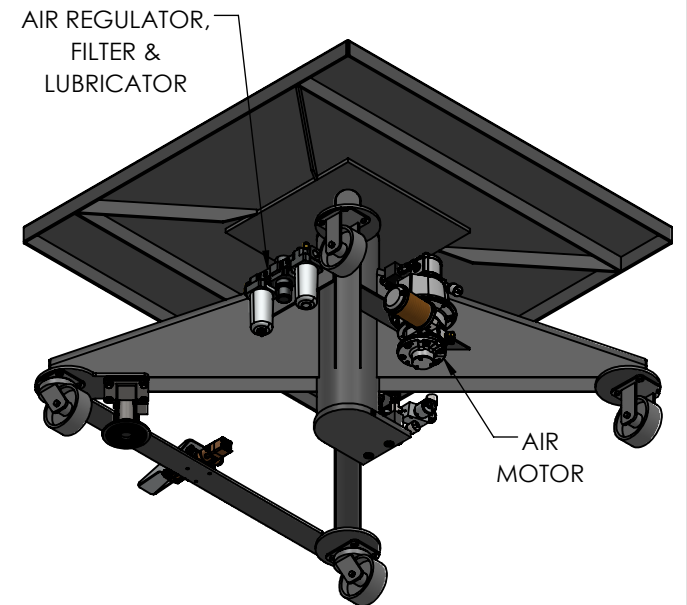
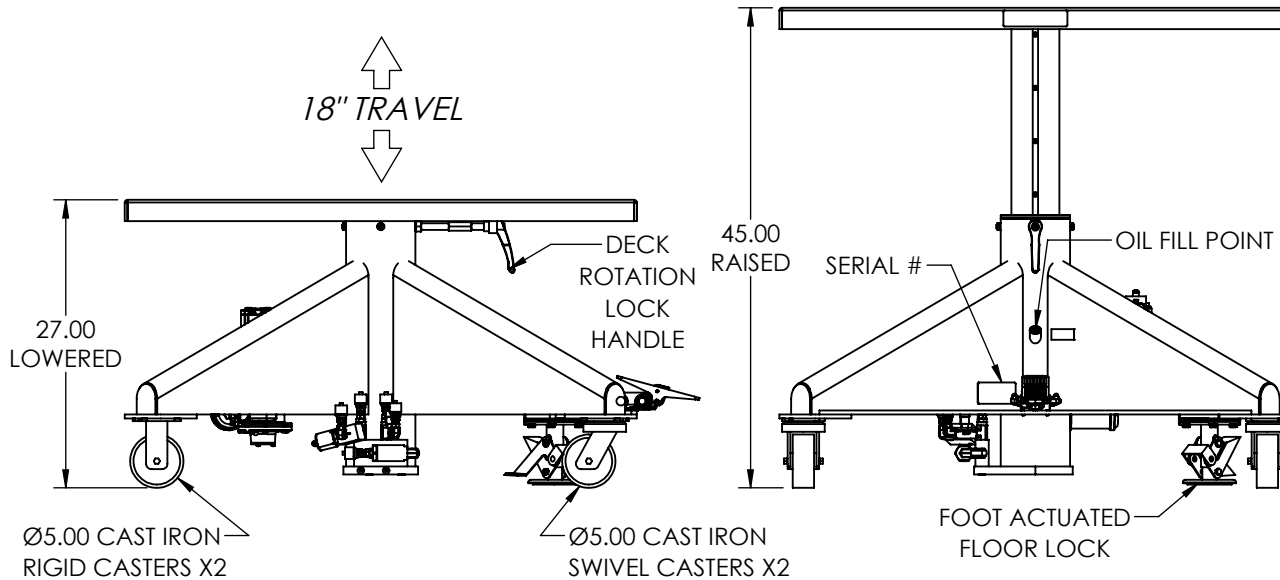
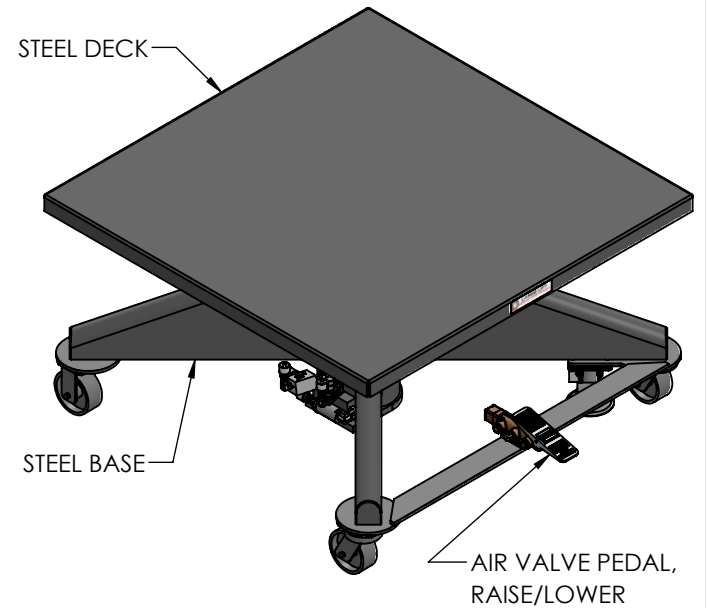


EMAIL SALES@LANGELIFT.COM FOR ALL MODIFICATION REQUIREMENTS



**CAPACITY:** 1,000 LBS  
**POWER:** AIR MOTOR W/ON BOARD  
 REGULATOR, FILTER & LUBRICATOR,  
 80PSI @ 50CFM RECOMMENDED  
**CONTROLS:** AIR VALVE PEDAL  
**PAINT:** LANGE LIFT SHADOW GRAY



PROPRIETARY AND CONFIDENTIAL, THE INFORMATION CONTAINED  
 IN THIS DRAWING IS THE SOLE PROPERTY OF LANGE LIFT. ANY  
 REPRODUCTION IN PART OR AS A WHOLE WITHOUT THE WRITTEN  
 PERMISSION OF LANGE LIFT IS PROHIBITED.



DIMENSIONS ARE IN INCHES		DESCRIPTION:			REV:
THIRD ANGLE PROJECTION		1K LB CAPACITY, 48" DECK, AIR POWER			-
SCALE:	DRAWN BY:	DATE:	DWG NO:	SHEET:	
NTS	DBK	11/18/2022	L-148-AP	1 OF 1	