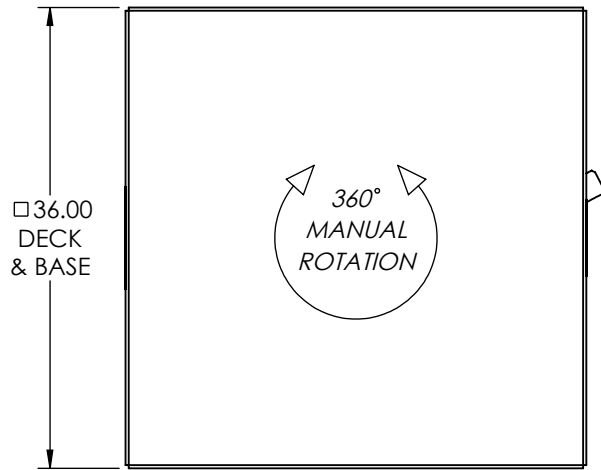
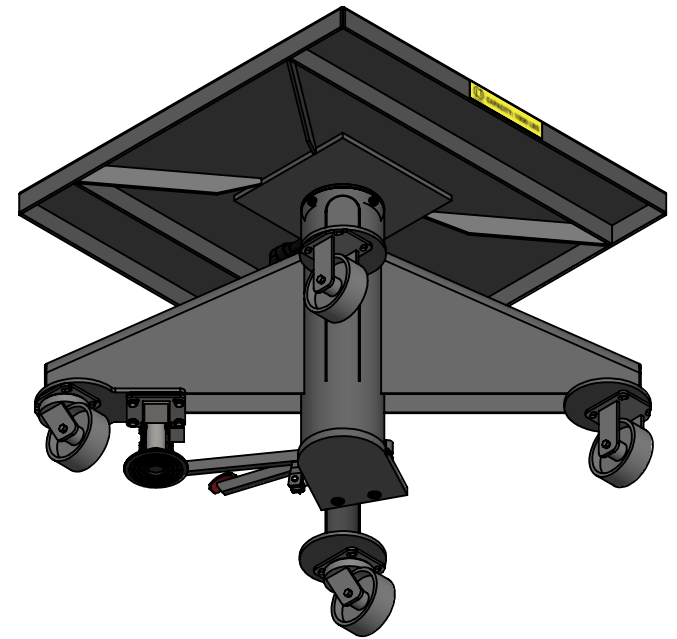
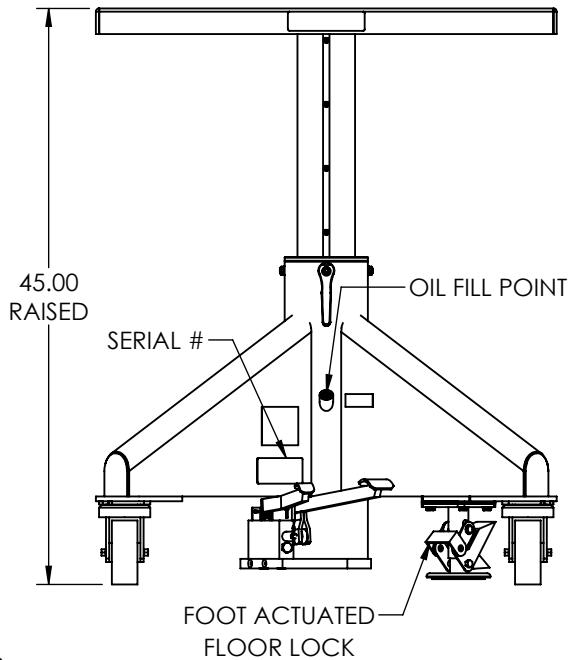
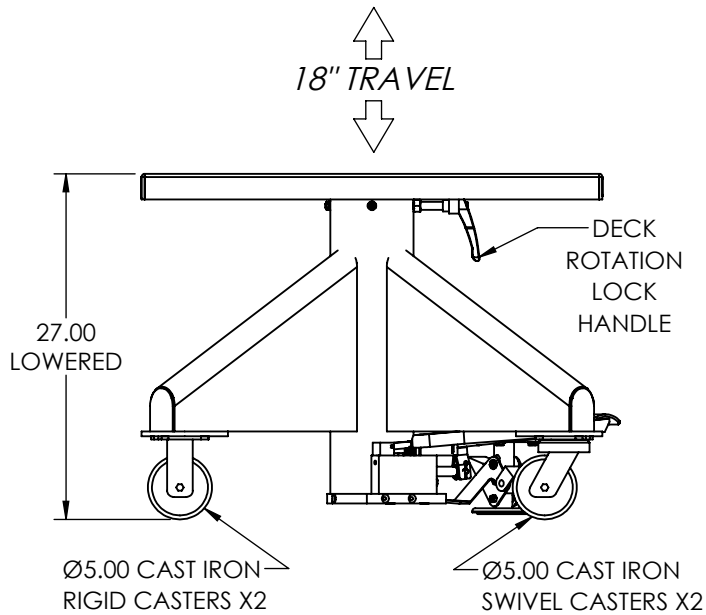
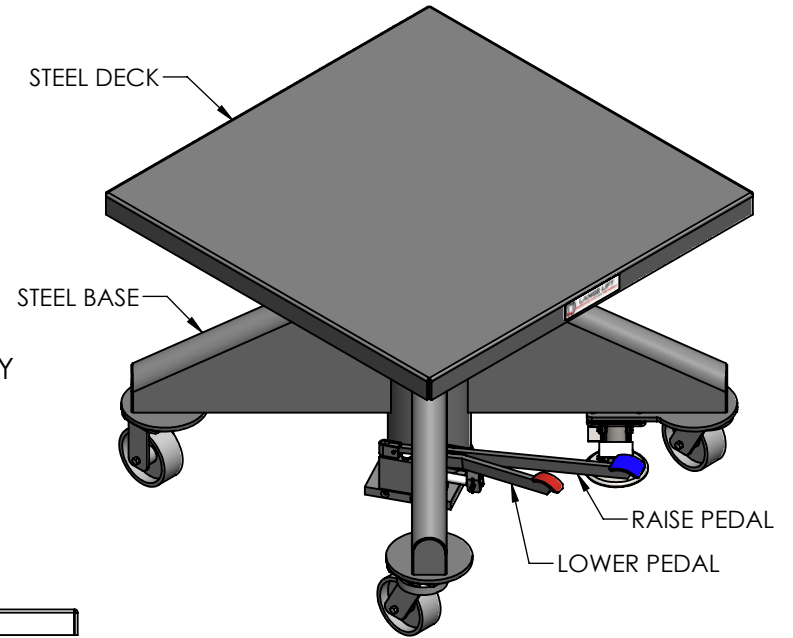


EMAIL SALES@LANGELIFT.COM FOR ALL MODIFICATION REQUIREMENTS



CAPACITY: 1,000 LBS
POWER: MANUAL
CONTROLS: FOOT PEDALS
PAINT: LANGE LIFT SHADOW GRAY



PROPRIETARY AND CONFIDENTIAL, THE INFORMATION CONTAINED IN THIS DRAWING IS THE SOLE PROPERTY OF LANGE LIFT. ANY REPRODUCTION IN PART OR AS A WHOLE WITHOUT THE WRITTEN PERMISSION OF LANGE LIFT IS PROHIBITED.



LANGE LIFT
PRODUCTS THAT LIFT THE WORLD

PO Box 580 Menomonee Falls, WI 53052
 Phone (262) 502-0333 | langelift.com

DIMENSIONS ARE IN INCHES
 THIRD ANGLE
 PROJECTION

DESCRIPTION:
1K CAPACITY, 36" DECK, MANUAL POWER

REV:

-



SCALE:
 NTS

DRAWN BY:
 DBK

DATE:
 11/18/2022

DWG NO:
L-136

SHEET:
 1 OF 1

1 OF 1