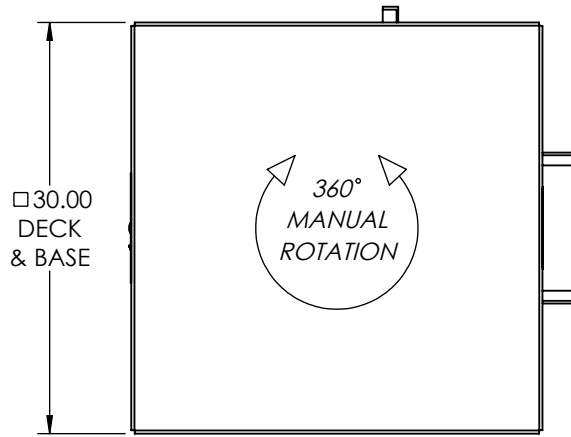
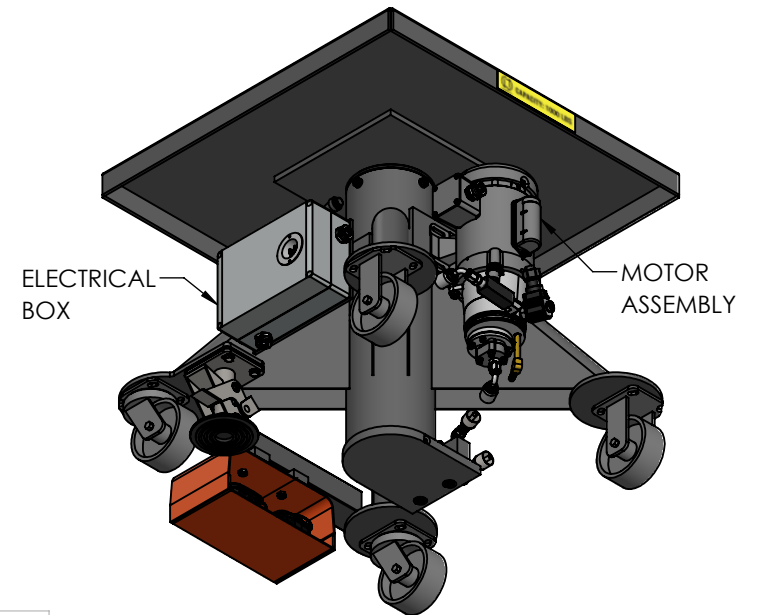
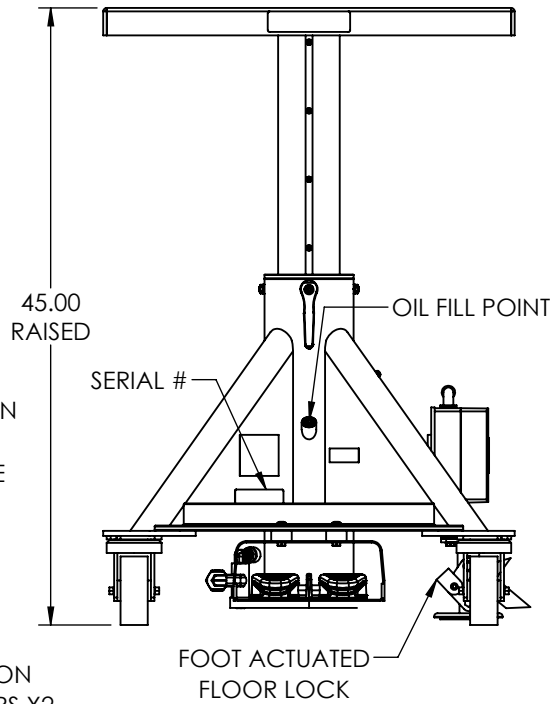
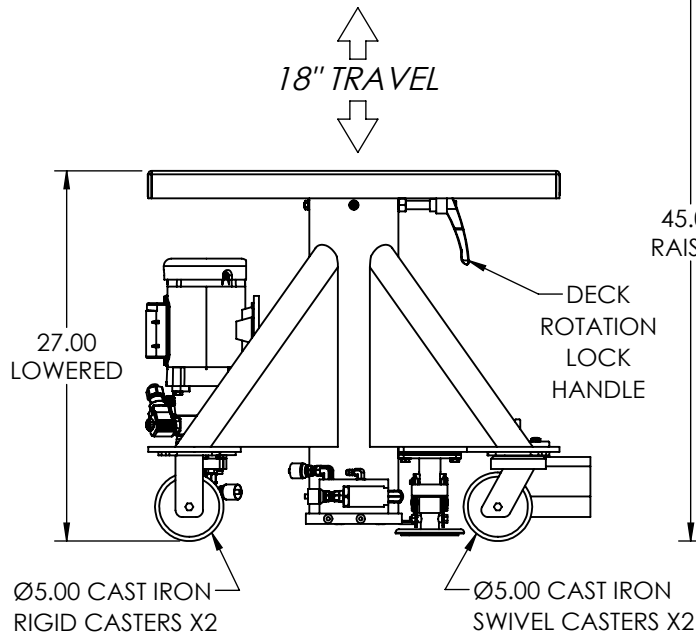
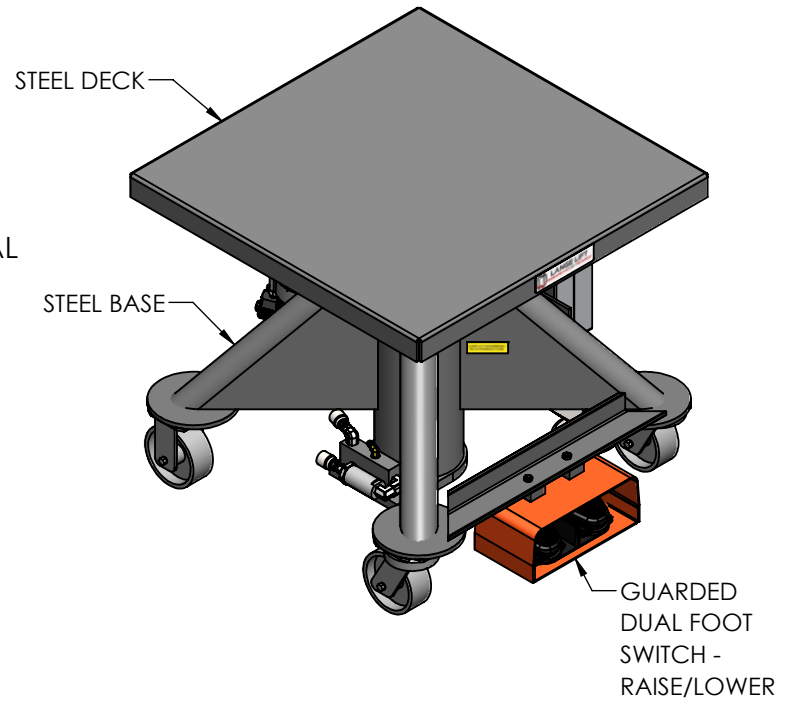


EMAIL SALES@LANGELIFT.COM FOR ALL MODIFICATION REQUIREMENTS



**CAPACITY:** 1,000 LBS  
**POWER:** 120V AC ELECTRIC OVER  
 HYDRAULIC MOTOR WITH ELECTRICAL  
 BOX & RECEPTACLE  
**CONTROLS:** DUAL FOOT SWITCH  
**PAINT:** LANGE LIFT SHADOW GRAY



PROPRIETARY AND CONFIDENTIAL, THE INFORMATION CONTAINED  
 IN THIS DRAWING IS THE SOLE PROPERTY OF LANGE LIFT. ANY  
 REPRODUCTION IN PART OR AS A WHOLE WITHOUT THE WRITTEN  
 PERMISSION OF LANGE LIFT IS PROHIBITED.

**LANGE LIFT**  
 PRODUCTS THAT LIFT THE WORLD

PO Box 580 Menomonee Falls, WI 53052  
 Phone (262) 502-0333 | langelift.com

DIMENSIONS ARE IN INCHES		DESCRIPTION:		REV:
THIRD ANGLE PROJECTION		1K LB CAPACITY, 30" DECK, ELECTRIC POWER		-
SCALE:	DRAWN BY:	DATE:	DWG NO:	SHEET:
NTS	DBK	11/18/2022	L-130-EP	1 OF 1