

Model: Custom Scissor Lift Cart

Capacity: 1,000 Pounds

Raised Height: 110"

Lowered Height: 52"

Travel: 58"

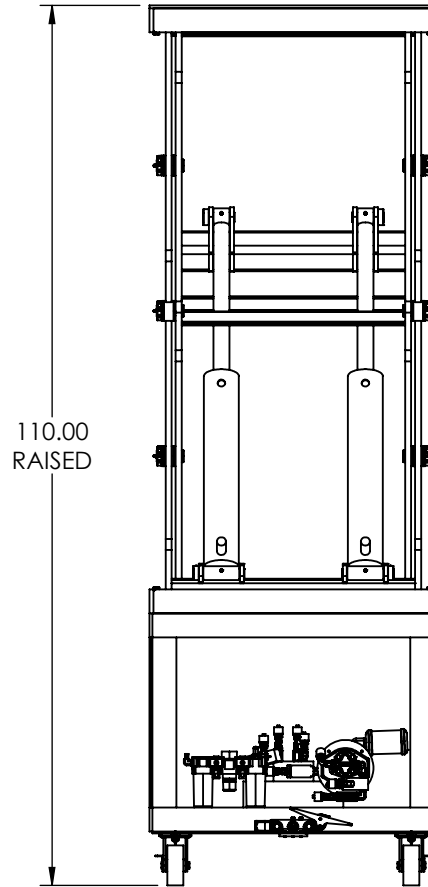
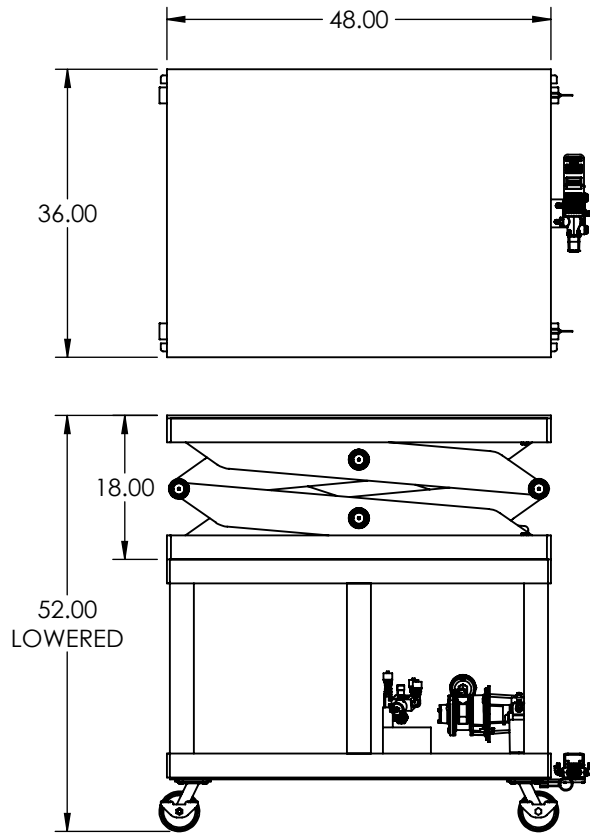
Deck: 36" x 48" Welded Steel Deck

Base: 36" x 48" Welded Steel Base Cart, Features 2x Each Ø5" Poly on Iron Rigid and Swivel Casters w/Top Lock Brakes and (2) Swivel Locks

Power: Air Motor - 80 PSI @ 50 CFM (Recommended), On Board Air Regulator, Filter, and Lubricator

Controls: Air Valve Pedal - Raise/Lower

Paint: Lange Lift Shadow Gray



RETURN SIGNED APPROVAL DRAWING TO LANGE LIFT BY E-MAIL OR FAX. LEAD TIMES ARE DRIVEN BY THE RECEIPT OF THE SIGNED APPROVAL DRAWING FOR ALL CUSTOM AND MODIFIED PRODUCTS.

APPROVED FOR PRODUCTION

PRINT NAME:	DATE:
APPROVAL SIGNATURE:	



PROPRIETARY AND CONFIDENTIAL, THE INFORMATION CONTAINED IN THIS DRAWING IS THE SOLE PROPERTY OF LANGE LIFT. ANY REPRODUCTION IN PART OR AS A WHOLE WITHOUT THE WRITTEN PERMISSION OF LANGE LIFT IS PROHIBITED.

DIMENSIONS ARE IN INCHES	THIRD ANGLE PROJECTION	DESCRIPTION:	CUSTOM SCISSOR LIFT CART	REV:	-
SCALE:	DRAWN BY:	DATE:	DWG NO:	SHEET:	
NTS	DBK	11/1/2022	D2211577-01	1 OF 1	