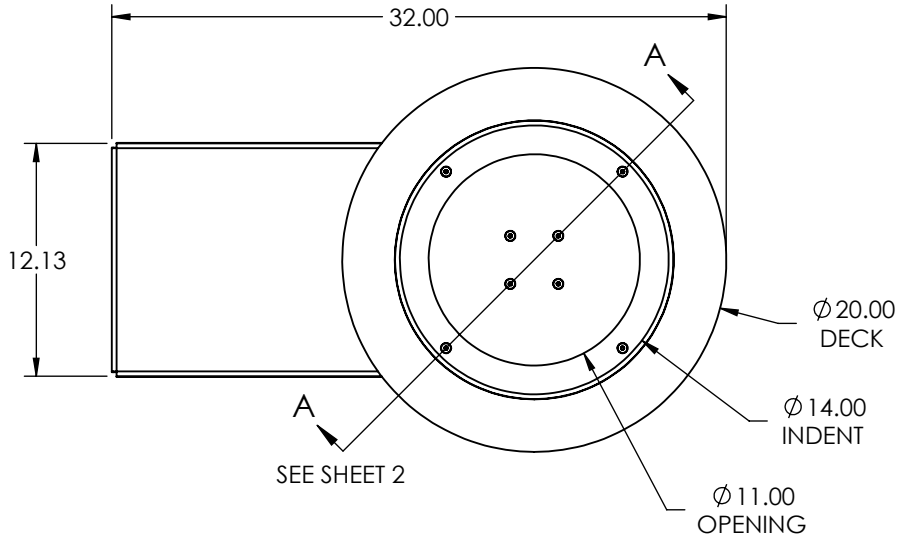
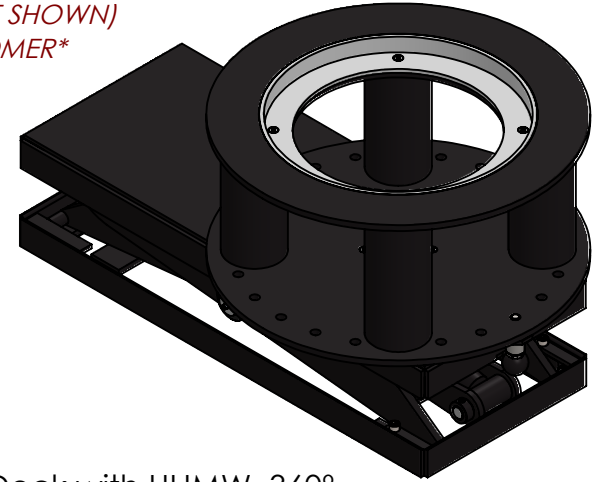
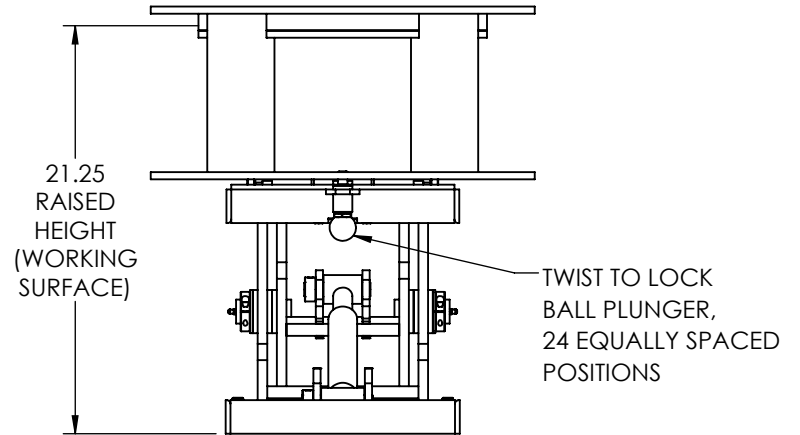
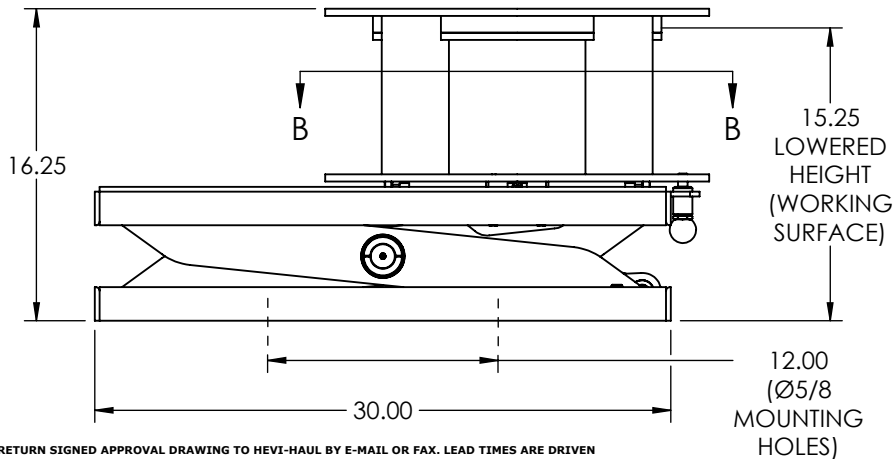


REVISIONS		
REV.	DESCRIPTION	DATE
A	ADDED Ø14 INDENT TO DECK	9/22/2021
B	UPDATED TO SINGLE ARM SCISSOR LIFT AND REDESIGNED DECK TO INTEGRATE ADAPTER	11/17/2021

**ELECTRICAL BOX, MOTOR & HYDRAULIC RESERVOIR (NOT SHOWN)
TO BE SHIPPED LOOSE & REMOTE MOUNTED BY CUSTOMER**



Model » Custom Scissor Lift
 Capacity » 300 Pounds
 Raised Height » 21.25"
 Lowered Height » 15.25"
 Travel » 6"
 Deck » Ø20" Welded Steel Deck with UHMW, 360°
 Continuous Rotation with (24) Locking Positions
 Base » 12.13" x 30.00" Floor Mounted
 Power » 120V AC Electric Hydraulic Power Unit
 Remote Mounted by Customer, 6ft Hose Included
 Controls » 2 Button Hand Pendant (Up/Down)
 Paint » Lange Lift Shadow Gray



RETURN SIGNED APPROVAL DRAWING TO HEVI-HAUL BY E-MAIL OR FAX. LEAD TIMES ARE DRIVEN BY THE RECEIPT OF THE SIGNED APPROVAL DRAWING FOR ALL CUSTOM AND MODIFIED PRODUCTS.

APPROVED FOR PRODUCTION

PRINT NAME:	DATE:
APPROVAL SIGNATURE:	



PO Box 580 Menomonee Falls, WI 53052
 Phone (262) 502-0333 | hevihaul.com

PROPRIETARY AND CONFIDENTIAL, THE INFORMATION CONTAINED IN THIS DRAWING IS THE SOLE PROPERTY OF LANGE LIFT. ANY REPRODUCTION IN PART OR AS A WHOLE WITHOUT THE WRITTEN PERMISSION OF LANGE LIFT IS PROHIBITED.

DIMENSIONS ARE IN INCHES		THIRD ANGLE PROJECTION		DESCRIPTION: CUSTOM SCISSOR LIFT	REV: B
SCALE: NTS	DRAWN BY: DBK	DATE: 11/17/2021	DWG NO: D2111347-01	SHEET: 1 OF 2	

